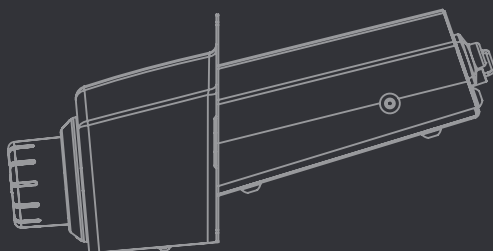




Gas Burner

for Ooni Karu 12

Manual



EU30

Gas Burner

for Ooni Karu 12

Contents

EN	2
DA	14
DE	26
ES	38
FI	50
IT	62
NL	74
NO	86
SV	98

Safety Legal Disclaimer: Must be read in full prior to use.

Please read the present legal disclaimer fully before assembling, installing and using/servicing your Ooni Gas Burner for Ooni Karu 12 attachment part in connection with your Ooni Karu 12 oven. Failure to comply with all the provisions of the present legal disclaimer could result in property damage, serious bodily injury or even death, or in a fire causing damage to property.

1. 1. When using Ooni Karu 12 oven together with your Ooni Gas Burner for Ooni Karu 12 attachment part, bear in mind that (1) the Ooni Gas Burner for Ooni Karu 12 attachment part shall only be used with your Ooni which excludes any other appliance, and (2) the entirety of the provisions of the Ooni Karu 12 oven's Safety Legal Disclaimer also apply to the use of the your Ooni Gas Burner for Ooni Karu 12 attachment part in addition to the provisions of the present safety legal disclaimer. You are strongly advised to not use your Ooni Karu 12 oven with the Ooni Gas Burner for Ooni Karu 12 attachment part until your Ooni Karu 12 oven has been thoroughly and properly gas leak-tested.
2. Combustion by-products, produced when using the Ooni Karu 12 oven with your Ooni Gas Burner for Ooni Karu 12 attachment part, contain carbon and carbon monoxide in the flue gas of Ooni Gas Burner for Ooni Karu 12; these substances, if inhaled indoors or in any other unventilated area, are known as a possible cause of death through asphyxiation and/or carbon monoxide poisoning.
3. If Ooni Gas Burner for Ooni Karu 12 does not light, turn knobs OFF, wait 5 minutes, and try again. Always close the gas valve during the 5 minute waiting period. If Ooni Gas Burner for Ooni Karu 12 does not ignite with the valve open, gas will continue to flow out of Ooni Gas Burner for Ooni Karu 12 and could accidentally ignite with risk of injury.
4. If a gas leak is detected at any time, STOP and call the fire department. Leaking propane may result in explosion, fire, severe personal injury, or death. If you smell gas (1) shut off gas to the appliance, (2) extinguish any open flame, and (3) If odour continues, keep away from your Ooni Karu 12 oven and immediately call your gas supplier or your fire department. If you cannot stop a gas leak, immediately close LPG (propane) valve and call LP gas supplier or your fire department. If "growing" bubbles appear in the cylinder do not use or move the LPG (propane). Contact an LP gas supplier or your fire department.
5. Do not store or use gasoline or other flammable liquids or vapours in the vicinity of your Ooni Karu 12 oven or any other appliance. Do not insert any tool or foreign object into the valve outlet or safety relief valve. You may damage the valve and cause a leak. Never attempt to attach your Ooni Gas Burner for Ooni Karu 12 to the self-contained LP gas system of a camper trailer or motor home. Never operate your Ooni Karu 12 oven with LPG (propane) in any other position other than that specified in assembly instructions. Always close LPG (propane) valve before moving LPG (propane) from specified operation position. Turn controls and gas source or tank OFF when not in use.
6. Use the Ooni Gas Burner for Ooni Karu 12, as purchased, only with LPG (propane) and the regulator/valve assembly supplied. Do not attempt to repair or alter the hose/valve/regulator for any "assumed" defect. Any modification to this assembly will create the risk of a gas leak and fire. Use only authorized replacement parts supplied by Ooni Limited. NEVER store a spare LPG (propane) under or near your Ooni Karu 12 oven or in an enclosed area. An LPG (propane) not connected for use shall not be stored in the vicinity of your Ooni Karu 12 oven or any other appliance.
7. You shall use your Ooni Gas Burner for Ooni Karu 12 attachment part, in connection with your Ooni Karu 12 oven, only with pre-bottled LPG (propane).

An improperly stored LPG (propane) is a hazard due to possible gas release from the safety relief valve. This could cause an intense fire with risk of property damage, serious injury or death. If you see, smell or hear gas escaping, immediately move away from the LPG (propane)/appliance and call your fire department.

OONI LIMITED, OONI INC OR OONI GMBH DOES NOT ACCEPT ANY RESPONSIBILITY, LEGAL OR OTHERWISE, FOR THE INCIDENTAL OR CONSEQUENTIAL DAMAGE TO PROPERTY OR PERSONS RESULTING FROM THE USE OF YOUR OONI GAS BURNER FOR OONI KARU 12 ATTACHMENT PART WHICH DOES/DID NOT COMPLY WITH ANY OF THE PROVISIONS OF THE PRESENT LEGAL DISCLAIMER.

OONI LIMITED, OONI INC OR OONI GMBH SHALL IN NO EVENT BE LIABLE FOR ANY SPECIAL, INDIRECT, CONSEQUENTIAL OR OTHER DAMAGES OF ANY NATURE WHATSOEVER IN EXCESS OF THE ORIGINAL PURCHASE PRICE OF YOUR OONI GAS BURNER FOR OONI KARU 12 ATTACHMENT PART.

Some states or countries do not allow the exclusion or limitation of incidental or consequential damages, therefore such limitations or exclusions may not apply to you.

Safety Information

- Read instructions before using the appliance.
- Only to be used outdoors.
- Warning! Accessible parts may be very hot. Keep young children away.
- Warning! Make sure the legs on Ooni Karu 12 are fully extended before use
- Warning! To prevent shock, Do not to touch the electrode tip when igniting the burner.
- Warning! Do not adjust the ceiling vent or chimney vent during use.
- Warning! Keep away from hot exhaust gases coming from the chimney
- Warning! Please ensure there is a distance of at least 3.5' / 90mm between the edges of any of the oven legs and the edge of the table surface.
- Keep young children away.
- Do not move the appliance during use.
- Turn off the gas supply at the gas cylinder after use.
- Do not modify the appliance.
- Parts sealed by the manufacturer or agent must not be manipulated by the user.
- Always use protective gloves when handling hot components.
- Storage of an appliance indoors is only permissible if the cylinder is disconnected and removed from the appliance. When the appliance is not used for a period of time, it should be removed from the oven and stored in its original packaging in a dry dust free environment.
- CAUTION: All cleaning and maintenance should be carried out when the oven is cool and with the fuel supply turned OFF at the gas cylinder and disconnected.
- BEFORE USE CHECK APPLIANCE AND CONNECTIONS FOR LEAKS: Never check for leaks with a naked flame, always use a soapy water solution. Leak testing: Leak test each time a new gas tank is connected or after a long period without having used the appliance. Make sure that the valve is in correct alignment with the venturi. Make sure that the hose has no cracking or splitting. IMPORTANT: if you cannot stop a gas leak, turn off the gas tank valve and call your local gas tank dealer or fire department.
- The appliance must be kept away from any flammable materials during use.
- When changing the gas canister, ensure that the Ooni Gas Burner for Ooni Karu 12 knob is turned to the off position, disconnect the regulator from the gas canister and remove the canister. Throughout this process, ensure that the canister is kept a minimum of 1 meter away from the oven to avoid ignition risks.



! Stand to side when relighting - never look directly into the oven or at the flame.



WARNING! This gas burner is certified for use with **Ooni Karu 12** only.
DO NOT USE with any other Ooni pizza oven.



Gas regulator supplied may not be suitable for use in your territory or region, please refer to your local regulations for more information.

Step 1 Install hose pipe (if required)

Regulators and hose connections will vary depending on your region.

If your Ooni Gas Burner for Ooni Karu 12 has a threaded female hose end follow Step 1a.

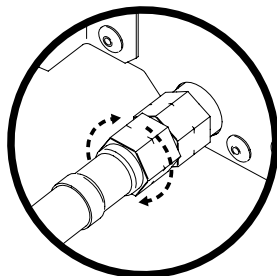
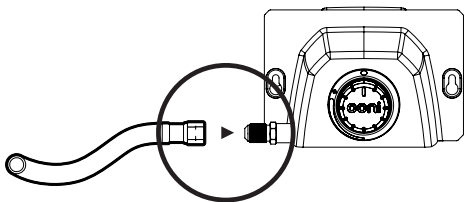
If your Ooni Gas Burner for Ooni Karu 12 has a threaded barb and regular hose with a hose clip follow Step 1b then 1c.

If your Ooni Gas Burner for Ooni Karu 12 has a regular hose with a hose clip follow Step 1c.

If your Ooni Gas Burner for Ooni Karu 12 has the hose preinstalled continue to Step 2.

Step 1a

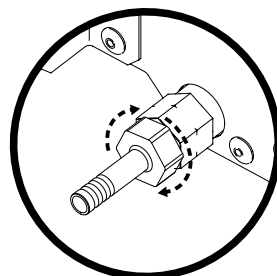
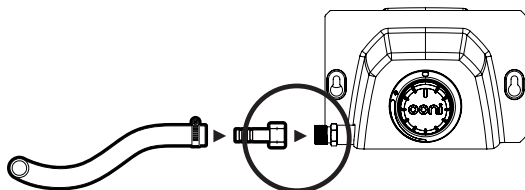
Tighten with suitable wrenches



! Tighten counter-clockwise in EU.

Step 1b

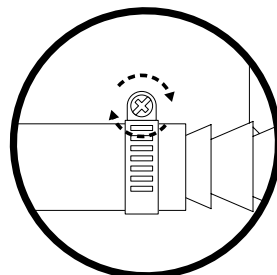
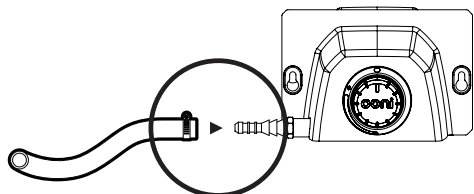
Tighten with suitable wrenches then follow Step 1c.



! Tighten counter-clockwise in EU.

Step 1c

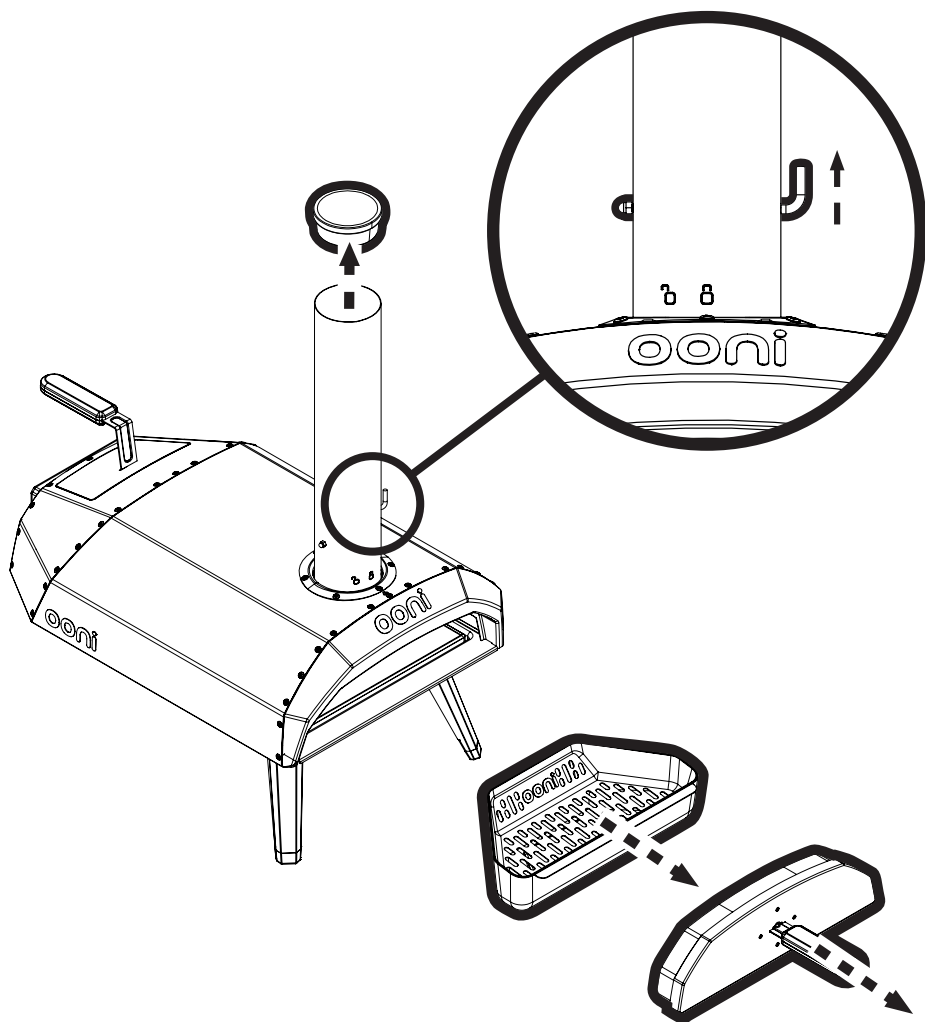
Tighten with suitable screwdriver.



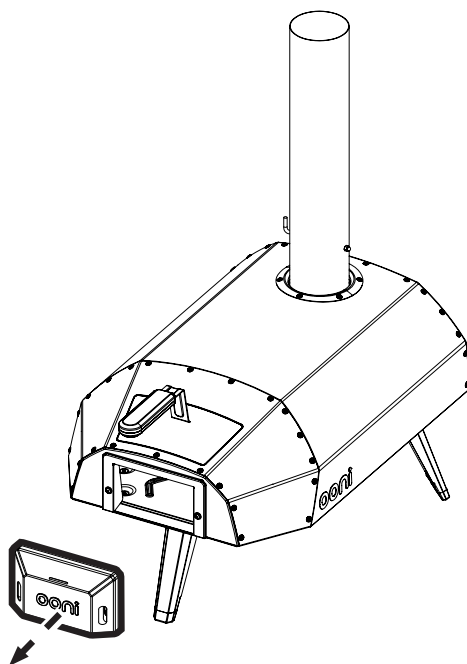
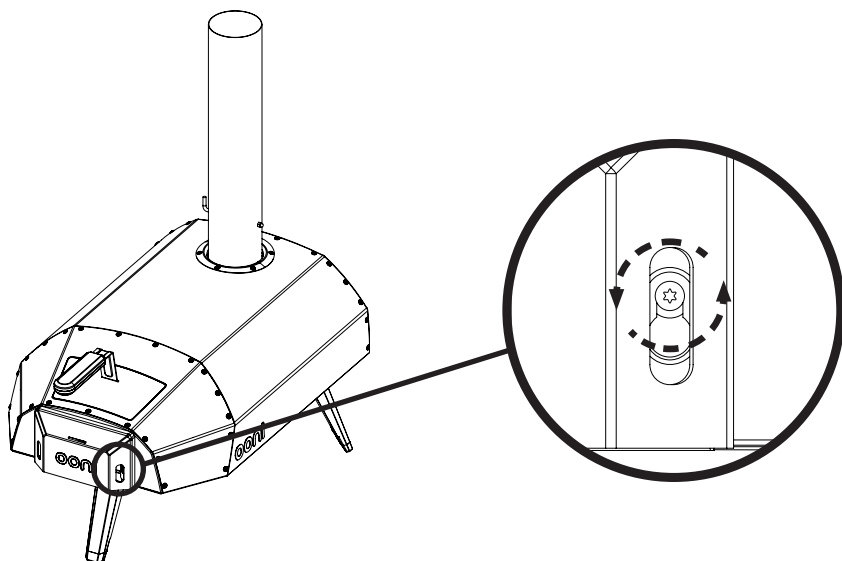
Step 2

Remove the door, fuel tray and chimney cap.

Ensure the chimney vent is open

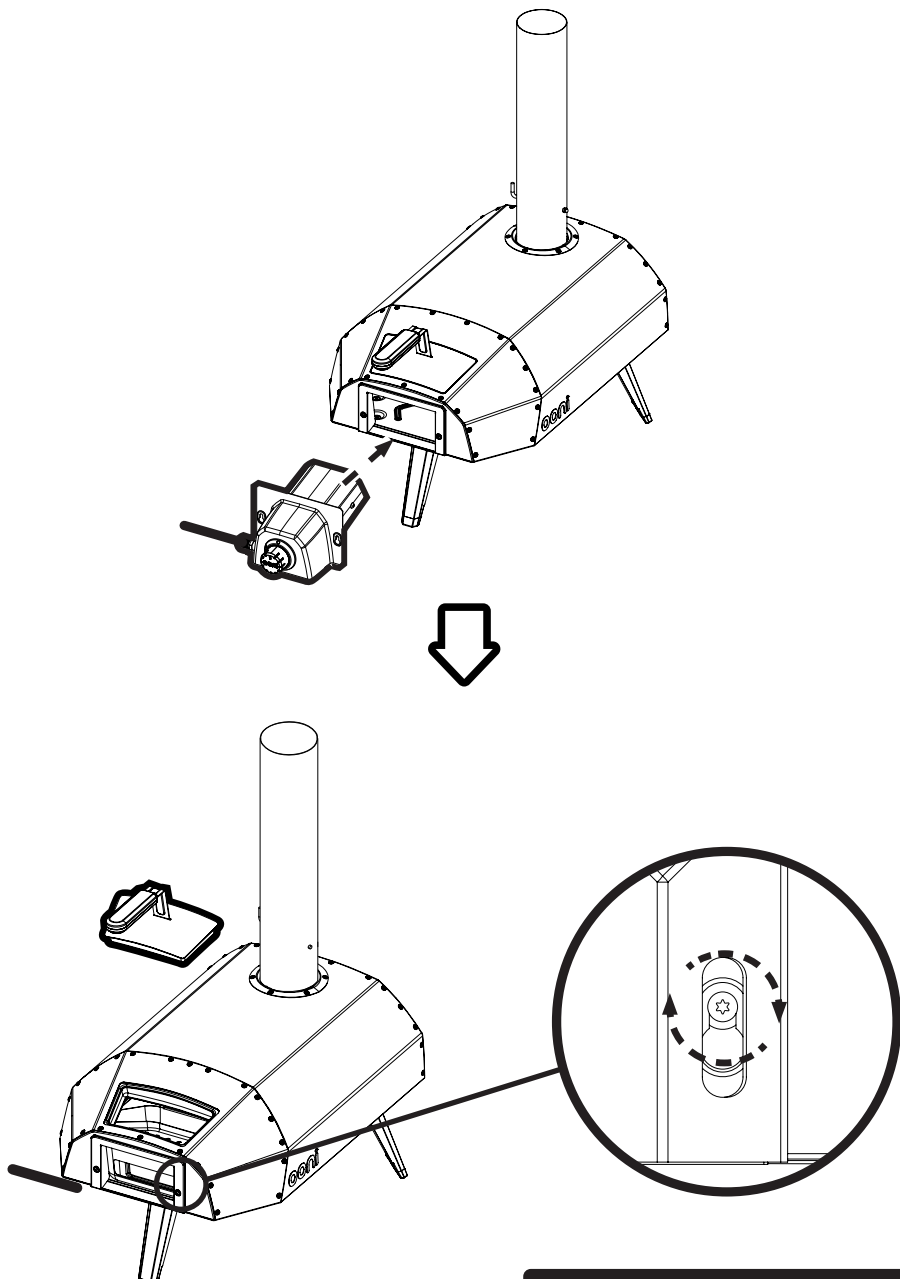


Step 3
Remove draft defender plate



Step 4

Add Ooni Gas Burner for Ooni Karu 12

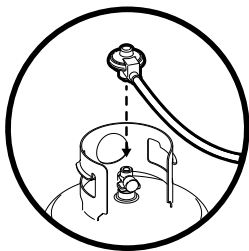


! Secure but do not over-tighten screws

Step 5

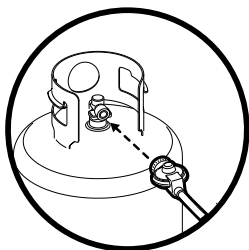
Connect to gas canister

Regulators will vary depending on region.



Patio gas regulator

This is a push-on gas fitting. Ensure that the black switch is in the horizontal position. Depress the button located below the black switch and press the regulator on to the tank valve until it locks into place.

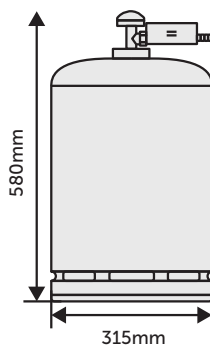


POL gas regulator

This is an anticlockwise threaded gas fitting. Ensure the tank is fully turned off and screw the regulator on to the gas tank valve fitting until tight.

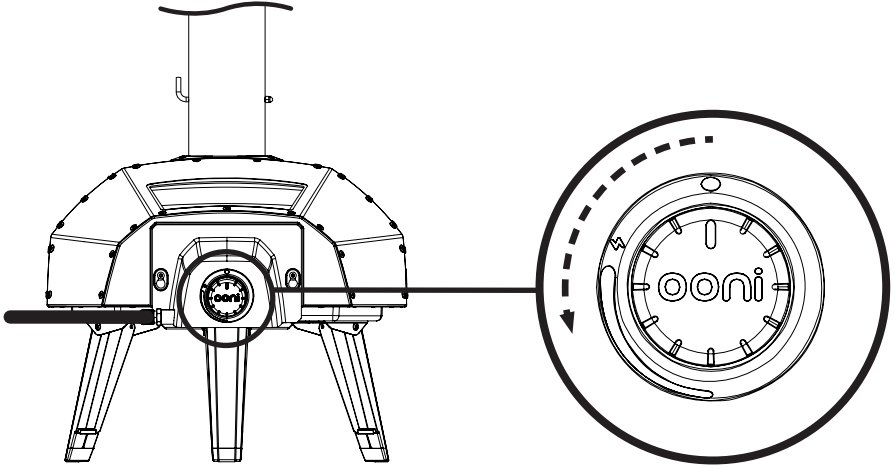
Gas Safety Information

- The appliance must be installed at least 1 meter from any flammable materials.
- The oven should be placed on a non-flammable, stable and flat surface.
- Make sure your oven is placed in an area that will not be affected by adverse weather.
- Appliance only to be used with Propane LPG. Minimum cylinder capacity 4kg maximum cylinder capacity 13kg.
- Use a suitable provided regulator certified to EN 16129 and a flexible hose certified to EN 16436.
- The length of the hose must be no more than 1.5 meters. Worn or damaged hose must be replaced. Ensure that the hose is not obstructed, kinked, or in contact with any part of the oven other than at its connection.
- The gas supply hose should be checked periodically and should be replaced if damaged and at least every two years.
- Your countries national requirements will advise you how often to replace the hose. Regularly review these requirements for your country.
- In the case of blocked venturi immediately turn off burner unit, turn off gas supply, disconnect gas supply and wait until cooled to removed from oven.
- Ensure the appliance is clear of debris before every use. If any debris does build up use a brush to remove this when appliance has cooled.

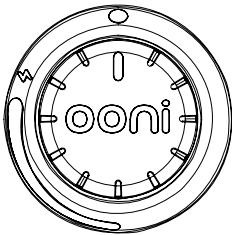


Step 6 Ignition

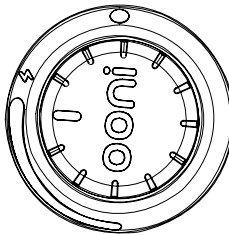
1. Turn on the gas at the gas canister.
2. Push in and turn the button counter-clockwise until it clicks. Do not turn too quickly.
From press to click should take about 3 seconds
3. Hold in button for 5 seconds, then release.



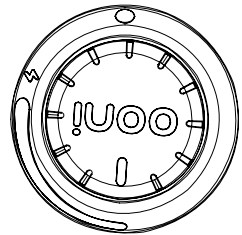
Off



Maximum power



Minimum power

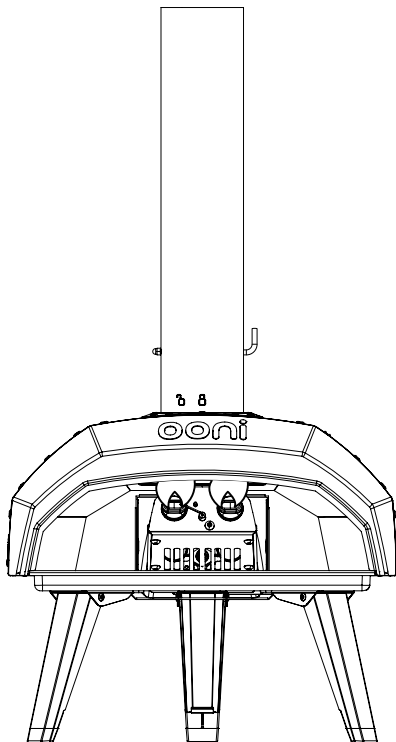


Stand clear of the oven when igniting - ensure nobody is within 1 metres (3ft) of the front of the oven. Maintain arms length from the oven when igniting, and do not lean over the oven when igniting.

Step 7

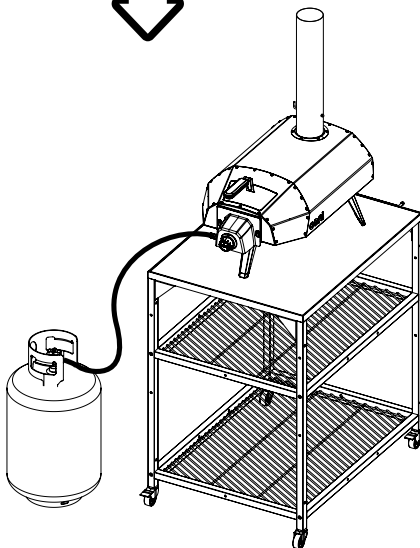
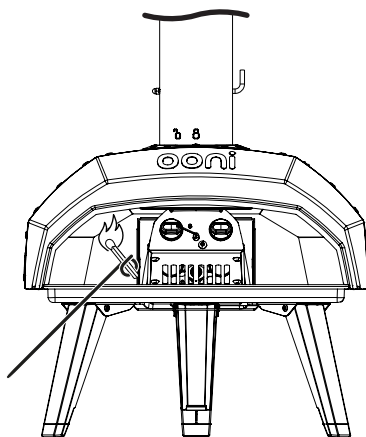
Verify that the gas burner has on

1. If not, turn off the gas and go back to Step 6.
2. If the burner still does not ignite go to Step 8.



Step 8 Ignition – using a match

If the burner still does not ignite; turn the gas on and light using a match and the supplied match holder through the front of the oven. Hold it in front of the burners. Press and turn the knob as described in Step 6.



! Always route the gas hose away from the oven. The hose must not touch the oven body

! If the flames go out turn off the gas and wait 5 minutes before reigniting

Troubleshooting

Problem	Possible cause	Prevention / Solution
My oven isn't getting hot enough	<ol style="list-style-type: none"> 1. Empty gas bottle 2. Cracking or leaking on the hose 3. Regulator improperly fixed 4. Operation in extreme conditions 	<ol style="list-style-type: none"> 1. Check the gas bottle is full, even a bottle with little gas inside may affect the gas burner performance 2. Ensure there is no cracking or leaking on the hose 3. Ensure the regulator is properly fixed to the gas bottle and the hose is firmly attached to the gas burner tightened using appropriate sized wrenches as outlined in the instruction manual 4. Your gas burner and oven should not be used in extreme conditions (eg high wind)
My gas burner will not ignite	<ol style="list-style-type: none"> 1. Improper set-up 2. Empty gas bottle 3. Cracking or leaking from the hose 4. Improper lighting technique. 5. Regulator improperly fixed 6. Improper alignment of the sparker 	<ol style="list-style-type: none"> 1. Ensure the chimney cap is removed and the ceiling vents and chimney vent are open. The door should be open. 2. Check the gas bottle is full, even a bottle with little gas inside may affect the gas burner performance 3. Ensure there is no cracking or leaking on the hose 4. Turning the dial too quickly may prevent the gas burner from lighting. 5. Ensure the regulator is properly fixed to the gas bottle and the hose is firmly attached to the gas burner tightened using appropriate sized wrenches as outlined in the instruction manual 6. Reposition the sparker tip so it is 2-3 mm away from the front of the burner cap.
My flame is too yellow / too blue	Variation in the environment, the food you cook, ambient temperature and condition of your Ooni oven may effect the colour of your flame	The colour of your flame will not affect the taste or quality of your food.
My FSD is not functioning correctly	There may be soot build up on my FSD probe	Ensure the gas burner and gas supply is switched off, wait for the burner to cool down, gently clean the probe and burner holes with damp cloth, leave the burner to fully dry before re-lighting.
Gas burner for Ooni will not maintain it's flame	<ol style="list-style-type: none"> 1. Lack of oxygen 2. Oven placed on an uneven surface 	<ol style="list-style-type: none"> 1. Open the chimney vent of your Ooni Pro to encourage better airflow through the oven 2. If your Ooni is on a slant when set up, the oxygen will not flow as well. Try to set up on a flat surface.
I can hear a 'roaring sound' coming from the Gas burner and my flames are very weak	Flame is burning within the ventures	Switch off the gas supply and the gas burner immediately, wait 5 minutes and relight the gas burner.

Product technical information

Model number

Ooni Karu 12 Gas Burner

Product Label

ooni	
Ooni Limited, 189 West Main Street, Broxburn, Scotland, EH52 5LH	I3B/P(30)
	Butane, Propane or their mixture
	28 - 30 mbar
Ooni Karu 12 Gas Burner	5.3 kW, 386g/h
DK, FI, IT, NL, NO, SE, LU, MT	0.81 mm * 2
DE: Butan, Propan oder eine Mischung davon DK: Butan, propan eller en blanding af disse ES: Butano, propano o sus mezclas FI: Butaani, propani tai niiden seos IT: Butano, propano o una miscela dei due NL: Butaan, propan of hun mengsel NO: Butan, propan eller deres blandinger SE: Butan, propan eller en blandning av de två	SN

Injectors

Injector marking: **0.81 mm**

Marking: **0.81**

Juridisk ansvarsfraskrivelse: Skal læses i sin helhed inden brug.

Læs denne juridiske ansvarsfraskrivelse grundigt, før du samler, installerer og bruger/servicerer din Ooni gasbrænder til Ooni Karu 12 fastgørelsesdelen i forbindelse med din Ooni Karu 12 ovn. Manglende overholdelse af alle bestemmelserne i denne juridiske ansvarsfraskrivelse kan resultere i materiel skade, alvorlig legemsbeskadigelse eller endda død, eller i en brand der kan forårsage materielle skader.

1. Når du bruger en Ooni Karu 12 ovn sammen med Ooni gasbrænderen til Ooni Karu 12 fastgørelsesdelen, skal du huske på, at (1) Ooni gasbrænderen til Ooni Karu 12 fastgørelsesdelen kun skal bruges sammen med din Ooni, uden samtidig brug af noget andet apparat, og at (2) alle bestemmelserne i Ooni Karu 12 ovnens sikkerhedsretlige ansvarsfraskrivelse også gælder for brugen af din Ooni gasbrænder til Ooni Karu 12 fastgørelsesdelen i tillæg til bestemmelserne i denne sikkerhedsretlige ansvarsfraskrivelse. Det anbefales på det kraftigste, at du ikke bruger din Ooni Karu 12 ovn sammen med Ooni gasbrænderen til Ooni Karu 12 fastgørelsesdelen, før din Ooni Karu 12 ovn er grundigt og korrekt testet for gaslækager.
2. De biprodukter ved forbrændingen, som produceres, når du bruger Ooni Karu 12 ovnen med din Ooni Gasbrænder til Ooni Karu 12 fastgørelsesdelen, indeholder kulstof og kulilte i røggassen fra Ooni gasbrænderen til Ooni Karu 12. Disse stoffer kendes som en mulig dødsårsag gennem kvælning og/eller kulilteforgiftning, hvis de inhaleres indendørs eller i et uventileret område.
3. Hvis Ooni Karu gasbrænderen til Ooni Karu 12 ikke tændes, skal du dreje knappen hen på OFF, vente 5 minutter og prøve igen. Luk altid gasventilen, mens du venter de 5 minutter. Hvis Ooni gasbrænderen til Ooni Karu 12 ikke antændes med åben ventil, vil gassen fortsat strømme ud af Ooni gasbrænderen til din Ooni Karu 12 og kan antændes ved et uheld med risiko for personskade.
4. Hvis du på noget tidspunkt opdager en gaslækage, skal du STOPPE og tilkalde brandvæsenet. Lækager af propan kan forårsage eksplosion, brand, alvorlig personskade eller død. Hvis du lugter gas, skal du (1) lukke for gassen til apparatet, (2) slukke al åben ild, og (3) hvis duften fortsætter, skal du holde dig væk fra din Ooni Karu 12 ovn og straks kontakte din gasleverandør eller brandvæsenet. Hvis du ikke kan stoppe en gaslækage, skal du straks lukke for LPG-ventilen (propan) og ringe til LP-gasleverandøren eller brandvæsenet. Hvis der forekommer "voksende" bobler i cylinderen, må du ikke bruge eller flytte LPG-flasken (propan). Kontakt en LP-gasleverandør eller brandvæsenet.
5. Opbevar eller brug ikke benzin eller andre brændbare væsker eller dampe i nærheden af din Ooni Karu 12 ovn eller andre apparater. Indsæt ikke værktøjer eller fremmedlegemer i ventiludgangen eller sikkerhedsventilen. Du kan beskadige ventilen og forårsage lækage. Forsøg aldrig at sætte din Ooni gasbrænder til Ooni Karu 12 på det indbyggede LP-gassystem i en campingvogn eller autocamper. Brug aldrig din Ooni Karu 12 ovn med LPG (propan) i nogen anden position end den, der er specificeret i monteringsvejledningen. Luk altid for gasflaskens (propan) ventil, før du flytter gasflasken (propan) fra den angivne driftsposition. SLUK for betjeningsknapperne og gaskilden eller flasken, når ovnen ikke er i brug.
6. Brug Ooni gasbrænderen til Ooni Karu 12, uden at lave ændringer på den. Anvend kun med flaskegas (propan) og den medfølgende regulator/ventilenhed . Forsøg ikke at reparere eller ændre slangen/ventilen/regulatoren ved "formodede" defekter. Enhver modificering af denne samling vil skabe risiko for gasudslip og brand. Brug kun autoriserede reservedele fra Ooni Limited. Opbevar ALDRIG en ekstra gasflaske (propan) under eller i nærheden af din Ooni Karu 12 ovn eller i et lukket område. En gasflaske (propan), der ikke er tilsluttet til brug, må ikke opbevares i nærheden af din Ooni Karu 12 ovn eller noget andet apparat.
7. Du skal bruge din Ooni gasbrænder til Ooni Karu 12 fastgørelsesdelen sammen med din Ooni Karu 12 ovn, og kun med autoriseret flaskegas (propan).

Forkert opbevaret gasflaske (propan) udgør en fare på grund af mulig frigivelse af gas fra sikkerhedsventilen. Dette kan medføre kraftig brand med risiko for materiel skade, alvorlig personskade eller død. Hvis du ser, lugter eller hører gas slippe ud, skal du straks gå væk fra gasflasken (propan)/apparatet og ringe til brandvæsenet.

OONI LIMITED, OONI INC ELLER OONI GMBH PÅTAGER SIG INTET ANSVAR, JURIDISK ELLER PÅ ANDEN MÅDE, FOR UTILSIGTEDE SKADER ELLER FØLGESKADER PÅ EJENDOM ELLER PERSONER, DER SKYLDES BRUGEN AF DIN OONI GASBRÆNDER TIL OONI KARU 12 FASTGØRELSESDOLEN, SOM IKKE OVERHOLDER/OVERHOLDTE NOGEN AF BESTEMMELSERNE I DENNE JURIDISKE ANSVARFRASKRIVELSE.

OONI LIMITED, OONI INC ELLER OONI GMBH HÆFTER UNDER INGEN OMSTÆNDIGHEDER FOR SÆRLIGE ELLER INDIREKTE SKADER, FØLGESKADER ELLER ANDRE SKADER AF NOGEN SOM HELST ART, DER OVERSTIGER DEN OPRINDELIGE KØBSPRIS FOR DIN OONI GASBRÆNDER TIL OONI KARU 12 FASTGØRELSESDOLEN.

Nogle stater eller lande tillader ikke udelukkelse eller begrænsning af ansvar for utilsigtede skader eller følgeskader, hvorfor sådanne begrænsninger eller udelukkelse muligvis ikke gælder for dig.

Sikkerhedsoplysninger

- Læs instruktionerne, inden du bruger apparatet.
- Må kun bruges udendørs.
- Advarsel! Tilgængelige dele kan være meget varme. Hold små børn på afstand.
- Advarsel! Sørg for, at benene på Ooni Karu 12 er trukket helt ud før ibrugtagning
- Advarsel! For at undgå stød, må du ikke røre ved elektrodespidsen, når du tænder brænderen.
- Advarsel! Juster ikke loftudluftningen eller skorstensventilen under brug.
- Advarsel! Hold afstand til de varme udstødningsgasser, der kommer fra skorstenen
- Advarsel! Sørg for, at der er en afstand på mindst 90 mm mellem kanterne på ovnens ben og kanten af bordoverfladen.
- Hold små børn på afstand.
- Flyt ikke apparatet under brug.
- Sluk for gastilførslen ved gasflasken efter brug.
- Modificer ikke apparatet.
- Dele, der er forseglet af producenten eller agenten, må ikke ændres af brugeren.
- Brug altid beskyttelseshandsker, når du håndterer varme komponenter.
- Opbevaring af et apparat indendørs er kun tilladt, hvis cylinderen kobles fra og fjernes fra apparatet. Når apparatet ikke bruges i en periode, skal det tages ud af ovnen og opbevares i originalemballagen i et tørt, støvfrit miljø.
- **FORSIGTIG:** Al rengøring og vedligeholdelse skal udføres, når ovnen er afkølet og med brændstoffølslen SLUKKET ved gasflasken og med gasflasken frakoblet.
- **FØR BRUG KONTROLLER APPARATET OG TILSLUTNINGER FOR LÆKAGER:** Kontroller aldrig for lækager ved brug af åben ild, brug altid sæbevand. Lækagetest: Udfør lækagetest hver gang en ny gasflaske tilsluttes, eller efter at apparatet ikke har været i brug i en længere periode. Sørg for, at ventilen er korrekt justeret i forhold til venturirøret. Se til, at slangen ikke har revner eller spækker. **VIGTIGT:** hvis du ikke kan stoppe en gaslækage, skal du lukke for gasflaskens ventil og ringe til din lokale gasforhandler eller brandvæsen.
- Apparatet skal holdes væk fra alle brandbare materialer under brug.
- Når du skifter gasbeholderen, skal du sikre dig, at drejeknappen på din Ooni gasbrænder til Ooni Karu 12 er drejet til off (slukket) position, og du skal frakoble regulatoren fra gasbeholderen og fjerne beholderen. Under denne proces skal du sikre dig, at beholderen er mindst 1 meter fra ovnen for at undgå antændelsesrisici.



Stå til siden, når du tænder igen - kig aldrig direkte ind i ovnen eller på flammen.



Den medfølgende gasregulator er muligvis ikke egnet til brug i dit område eller din region. Undersøg dine lokale regler for mere information.

Trin 1

Installer slangerør (hvis det er nødvendigt)

Regulatorer og slanger vil variere afhængigt af regionen.

Hvis din Ooni gasbrænder til Ooni Karu 12 har en slange med indvendigt gevind, skal du følge trin 1a.

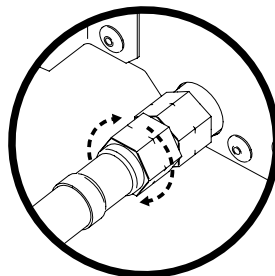
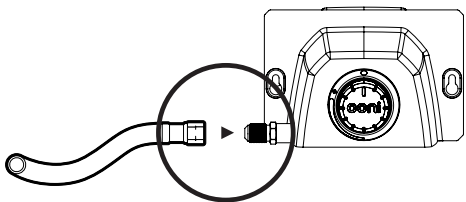
Hvis din Ooni gasbrænder til Ooni Karu 12 har en gevindfatning og en normal slange med en slangeklemme, skal du følge trin 1b og derefter 1c.

Hvis din Ooni gasbrænder til Ooni Karu 12 har en normal slange med en slangeklemme, skal du følge trin 1c.

Hvis din Ooni gasbrænder til Ooni Karu 12 har en forudinstalleret slange, skal du fortsætte til trin 2.

Trin 1a

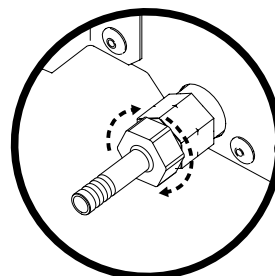
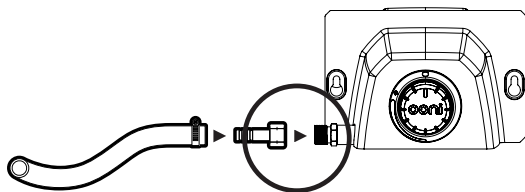
Stram med passende skruenøgler



! Strammes mod uret i EU.

Trin 1b

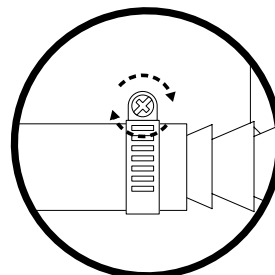
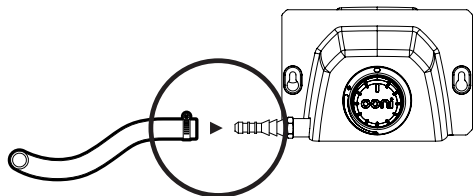
Stram med passende skruenøgler, og følg derefter trin 1c.



! Strammes mod uret i EU.

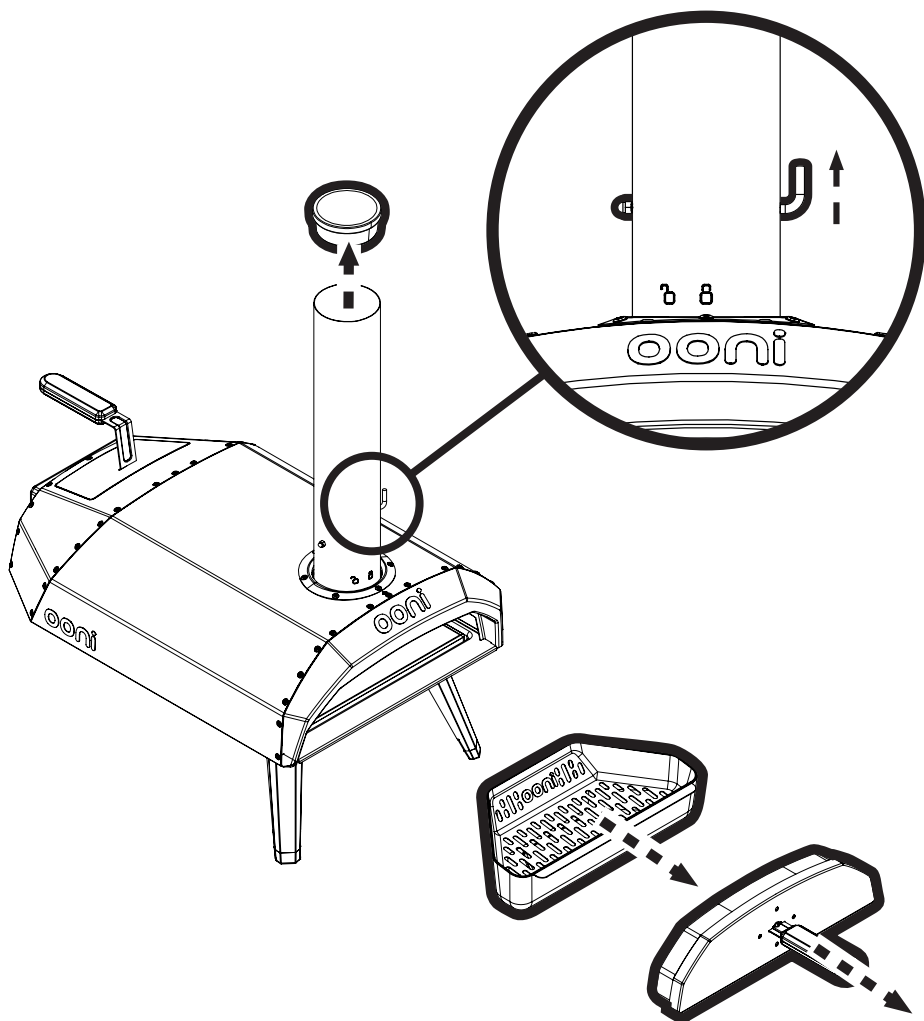
Trin 1c

Stram med passende skruenøgler.

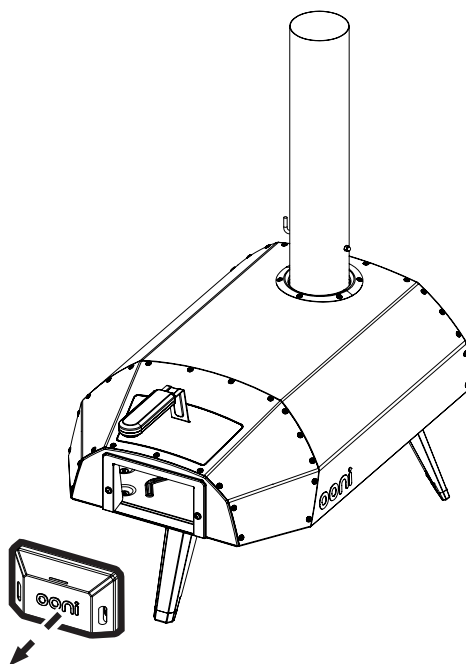
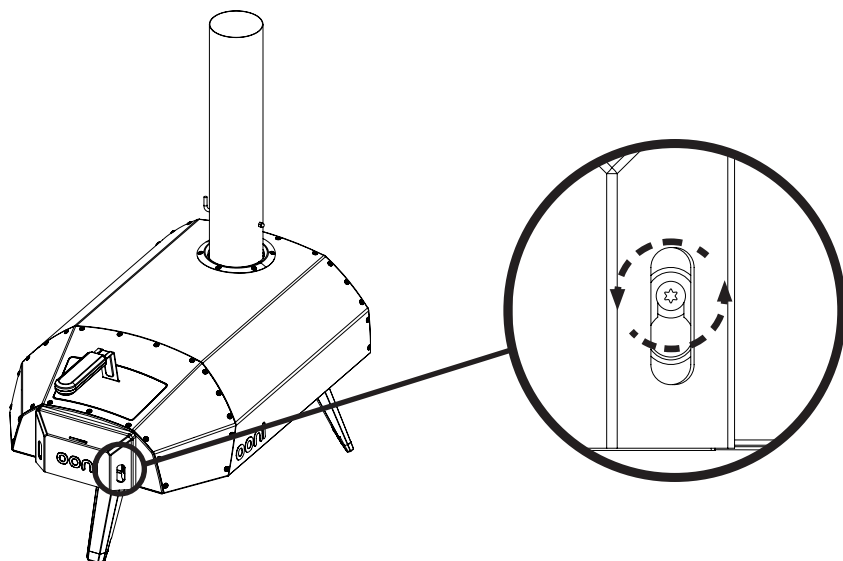


Trin 2

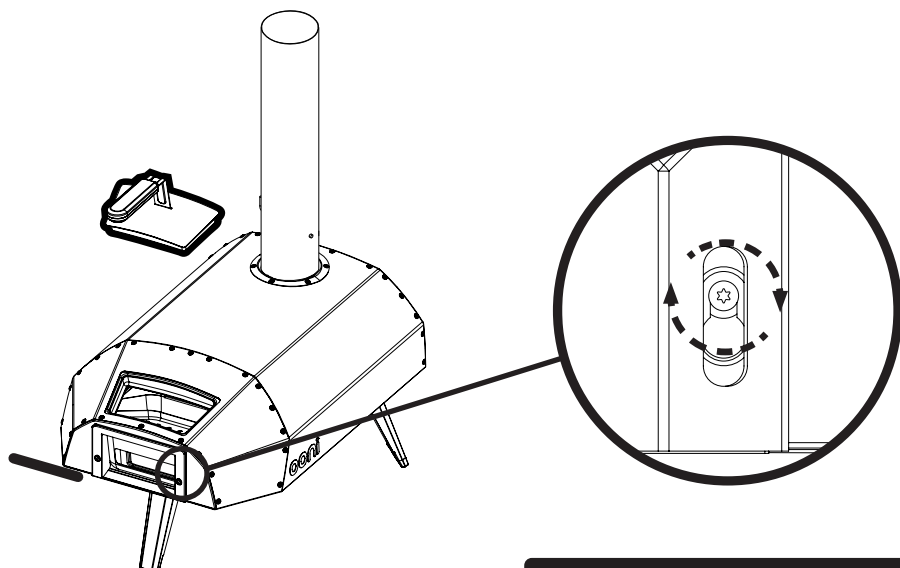
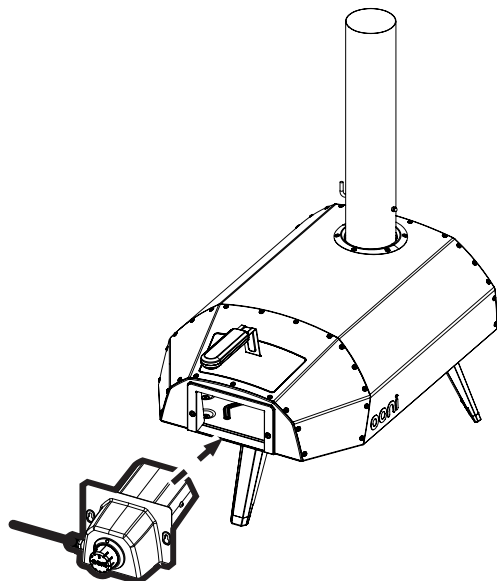
Fjern døren og brændselsbakken, og sørg for, at skorstensafrækket er åbent



Trin 3
Fjern trækpladen



Trin 4
Tilføj Ooni gasbrænder til Ooni Karu 12

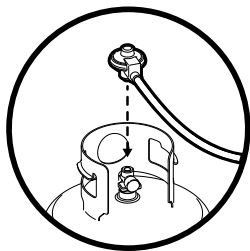


! Fastgør, men overspænd ikke skrue-
erne

Trin 5

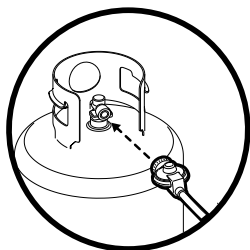
Tilslut til gasbeholderen

Regulatorer vil variere afhængigt af regionen.



Regulator til propangas

Dette er en push-on gasmontering. Sørg for, at den sorte kontakt er i vandret position. Tryk på knappen under den sorte kontakt, og tryk regulatoren på plads på flaskeventilen, indtil den låses på plads.

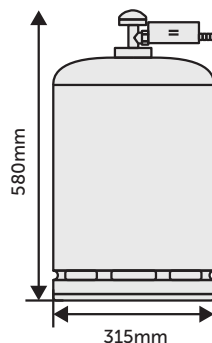


Gasregulator med POL-tilslutning

Dette er en gasmontering med gevind mod uret. Sørg for, at flasken er helt slukket, og skru regulatoren fast på gasflaskens ventilmontering, indtil den er helt tæt.

Sikkerhedsoplysninger om gas

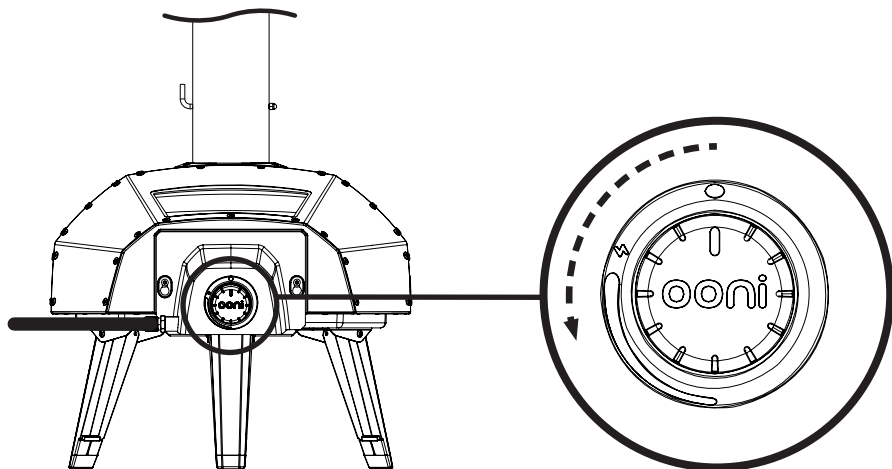
- Apparatet skal installeres i en afstand på mindst 1 meter fra alle brandfarlige materialer.
- Ovnens skal placeres på en ikke-brændbar, stabil og flad overflade.
- Sørg for, at din ovn er placeret i et område, der ikke påvirkes af ugunstigt vejr.
- Apparatet må kun bruges med propangas. Mindste cylinderkapacitet 4 kg, maksimale cylinderkapacitet 13 kg.
- Brug en passende medfølgende regulator, der er certificeret i henhold til EN 16129 og en fleksibel slange certificeret i henhold til EN 16436.
- Slangens længde må ikke være på over 1,5 meter. En slidt eller beskadiget slange skal udskiftes. Sørg for, at slangen ikke er blokeret, bøjet eller i kontakt med nogen anden del af ovnen end tilslutningen.
- Gastilførselsslangen skal kontrolleres med jævne mellemrum og skal udskiftes, hvis den er beskadiget eller mindst hvert andet år.
- Dit lands nationale påkrav vil vejlede dig om, hvor ofte du skal udskifte slangen. Gennemgå regelmæssigt disse krav for dit land.
- I tilfælde af et blokeret venturirør skal du straks slukke for brænderenheden, lukke for gastilførslen, afbryde gastilførslen og vente, indtil den er afkølet før fjernelse fra ovnen.
- Sørg for, at apparatet er fri for snavs inden hver brug. Hvis der opbygges snavs, skal du fjerne det med en børste, når apparatet er afkølet.



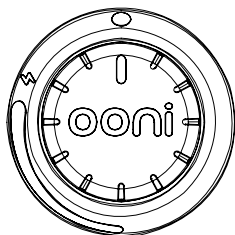
Trin 6

Tænding

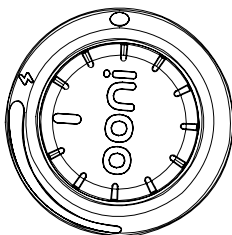
1. Åbn for gassen ved gasbeholderen.
2. Tryk ind, og drej knappen mod uret, indtil den klikker. Drej ikke for hurtigt. Der går ca. 3 sekunder, fra du trykker, til du kan høre klikket
3. Hold knappen inde i 5 sekunder, slip den derefter.



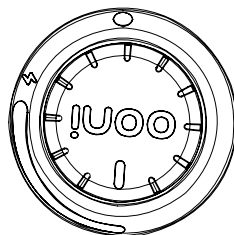
Sluk



Maksimal effekt



Minimal effekt

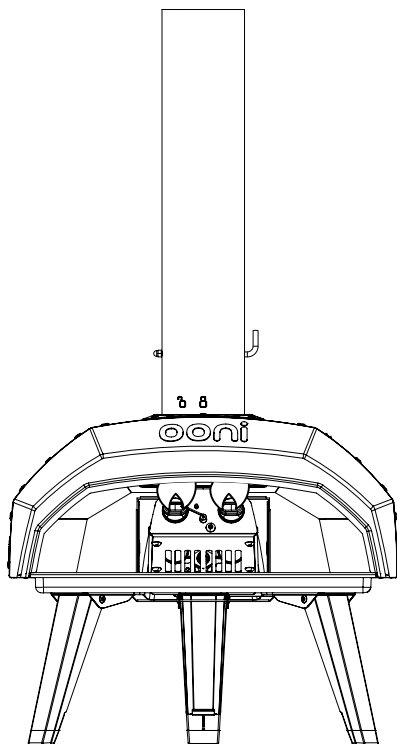


Hold afstand til ovnen, når du antænder den - sørg for, at der ikke er nogen personer inden for 1 meter fra ovnens forside. Stå en armslængde fra ovnen, når du antænder den, og læn dig ikke ind over ovnen, når du antænder den.

Trin 7

Kontroller, at gasbrænderen er tændt

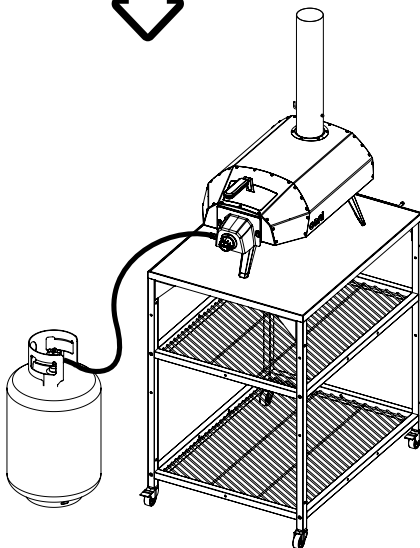
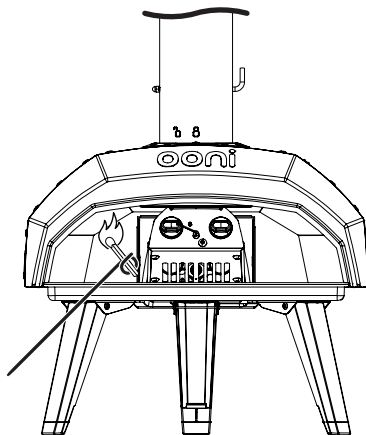
1. Hvis ikke, skal du lukke for gassen og gå tilbage til trin 6.
2. Hvis brænderen stadig ikke antændes, skal du gå til trin 8.



Trin 8

Tænding - ved hjælp af en tændstik

Hvis brænderen stadig ikke antændes. Åbn for gassen og antænd den ved hjælp af en tændstik og den medfølgende tændstikkeholder gennem ovnens front. Hold den foran brænderne. Tryk og drej knappen som beskrevet i trin 6.



! Før altid gasslangen væk fra ovnen. Slangen må ikke røre ved ovnens kabinet

! Hvis flammerne går ud, skal du slukke for gassen og vente 5 minutter, før du tænder igen

Fejlfinding

Problem	Mulig årsag	Forebyggelse/løsning
Min ovn bliver ikke varm nok	<ol style="list-style-type: none"> 1. Tom gasflaske 2. Revner i eller lækage fra slangen 3. Regulatoren er forkert monteret 4. Anvendelse under ekstreme forhold 	<ol style="list-style-type: none"> 1. Kontroller, at gasflasken er fuld, selv en flaske med lidt gas i kan påvirke gasbrænderens ydeevne 2. Sikr dig, at der ikke er revner eller lækage på slangen 3. Sørg for, at regulatoren er ordentligt fastsat på gasflasken, og at slangen er fastgjort til gasbrænderen og strammet ved hjælp af skruenøgler af passende størrelse som beskrevet i brugsanvisningen 4. Din gasbrænder og ovn bør ikke bruges under ekstreme forhold (f.eks. ved stærk vind)
Min gasbrænder tænder ikke	<ol style="list-style-type: none"> 1. Forkert opsætning 2. Tom gasflaske 3. Revner i eller lækage fra slangen 4. Forkert antændingsteknik. 5. Regulatoren er forkert monteret 6. Forkert justering af tændgnisten 	<ol style="list-style-type: none"> 1. Sørg for, at røghætten er fjernet, og at loftventilationen og skorstensaftrækket er åbne. Døren skal være åben. 2. Kontroller, at gasflasken er fuld, selv en flaske med lidt gas i kan påvirke gasbrænderens ydeevne 3. Sikr dig, at der ikke er revner eller lækage på slangen 4. Hvis knappen drejes for hurtigt, tændes gasbrænderen muligvis ikke. 5. Sørg for, at regulatoren er ordentligt fastsat på gasflasken, og at slangen er fastgjort til gasbrænderen og strammet ved hjælp af skruenøgler af passende størrelse som beskrevet i brugsanvisningen 6. Sæt spidsen af tændgnisten 2-3 mm foran brandhætten.
Min flamme er for gul/for blå	Variationer i miljøet, den mad, du tilbereder, omgivelsestemperaturen og din Ooni ovns tilstand kan påvirke farven på din flamme	Farven på din flamme påvirker ikke smagen eller kvaliteten af din mad.
Min FSD fungerer ikke korrekt	Der kan samles sod på min FSD-sonde	Sørg for, at der er slukket for gasbrænderen og gastilførslen, vent på, at brænderen er kølet af, rengør forsigtigt sonden og brænderhullerne med en fugtig klud, og lad brænderen tørre helt, før den tændes igen.
Gasbrændere til Ooni vedligeholder ikke flammen	<ol style="list-style-type: none"> 1. Mangel på ilt 2. Ovnen er placeret på en ujævn overflade 	<ol style="list-style-type: none"> 1. Åbn skorstenens ventil på din Ooni Pro for at give bedre luftgennemstrømning gennem ovnen 2. Hvis din Ooni er sat op på en skrå flade, er luftgennemstrømning ikke så god. Prøv at sætte den op på en plan overflade.
Jeg kan høre en "brølende lyd" komme fra gasbrænderen, og mine flammer er meget svage	Flammen brænder inden i rørbrænderne	Sluk straks for gastilførslen og gasbrænderen, vent 5 minutter og tænd gasbrænderen igen.

Teknisk produktinformation

Modelnummer

Ooni Karu 12 gasbrænder

Produktmærke

ooni	
Ooni Limited, 189 West Main Street, Broxburn, Scotland, EH52 5LH	I3B/P(30)
	Butane, Propane or their mixture
	28 - 30 mbar
Ooni Karu 12 Gas Burner	5.3 kW, 386g/h
DK, FI, IT, NL, NO, SE, LU, MT	0.81 mm * 2
DE: Butan, Propan oder eine Mischung davon DK: Butan, propan eller en blanding af disse ES: Butano, propano o sus mezclas FI: Butaani, propaani tai niiden seos IT: Butano, propano o una miscela dei due NL: Butaan, propaan of hun mengsel NO: Butan, propan eller deres blandinger SE: Butan, propan eller en blandning av de två	SN

Injektorer

Injektormærkning: **0,81 mm**

Mærkning: **0,81**

Sicherheitshaftungsausschluss: Vor der Verwendung vollständig lesen!

Bitte lies dir den vorliegenden Haftungsausschluss vollständig durch, bevor du dein Aufsatzteil für den Ooni Gasbrenner für Ooni Karu 12 in Verbindung mit deinem Ooni Karu 12 Ofen zusammenbaust, installierst und benutzt bzw. wartest. Das Nichtbeachten der Bestimmungen dieses Haftungsausschlusses kann zu Sachschäden, schweren Körperverletzungen oder sogar zum Tod führen oder ein Feuer verursachen, das zu Sachschäden führt.

1. Wenn du den Ooni Karu 12 Ofen zusammen mit deinem Aufsatzteil für den Ooni Gasbrenner für Ooni Karu 12 verwendest, beachte, dass (1) das Ooni Karu 12 Gasbrenner-Aufsatzteil nur mit deinem Ooni verwendet werden darf, was jedes andere Gerät ausschließt, und (2) die Gesamtheit der Bestimmungen des Sicherheitshaftungsausschlusses des Ooni Karu 12 Ofens auch für die Verwendung deines Ooni Karu 12 Gasbrenner-Aufsatzteils zusätzlich zu den Bestimmungen des vorliegenden Sicherheitshaftungsausschlusses gilt. Es wird dringend empfohlen, deinen Ooni Karu 12 Ofen erst dann mit dem Aufsatzteil für den Ooni Gasbrenner für Ooni Karu 12 zu verwenden, nachdem dein Ooni Gasbrenner für Ooni Karu 12 gründlich und ordnungsgemäß auf Gaslecks getestet wurde.
2. Verbrennungsnebenprodukte, die bei der Verwendung des Ooni Karu 12 Ofens mit deinem Aufsatzteil für den Ooni Gasbrenner für Ooni Karu 12 entstehen, enthalten Kohlenstoff und Kohlenmonoxid und befinden sich im Rauchgas des Ooni Gasbrenners für Ooni Karu 12; diese Stoffe können, wenn sie in Innenräumen oder in anderen unbelüfteten Bereichen eingeatmet werden, möglicherweise zum Tod durch Ersticken und/oder Kohlenmonoxidvergiftung führen.
3. Wenn der Ooni Gasbrenner für Ooni Karu 12 nicht angeht, bringe die Knöpfe in AUS-Stellung, nimm die Brennstoffklappe ab und öffne die Tür, warte fünf Minuten, und versuche es erneut. Schließe während der Wartezeit von fünf Minuten immer das Gasventil. Wenn der Ooni Gasbrenner für Ooni Karu 12 sich nicht anzünden lässt und das Ventil geöffnet ist, entweicht weiterhin Gas aus dem Ooni Gasbrenner für Ooni Karu 12 und könnte sich versehentlich entzünden, was mit einer Verletzungsgefahr verbunden wäre.
4. Wenn zu irgendeinem Zeitpunkt ein Gasleck erkannt wird, SOFORT STOPPEN und die Feuerwehr anrufen. Austretendes Propangas kann zu Explosionen, Bränden, schweren Personenschäden oder zum Tod führen. Wenn du Gas riechst, (1) schalte das Gerät ab, (2) lösche offene Flammen und (3) wenn der Geruch anhält, halte dich von deinem Ooni Karu 12 Ofen fern und ruf sofort deinen Gaslieferanten oder die Feuerwehr an. Wenn ein Gasleck nicht stoppen kannst, schließe sofort das LPG-Ventil (Propan) und ruf den LP-Gaslieferanten oder die Feuerwehr an. Wenn „wachsende“ Blasen im Zylinder erscheinen, verwende oder bewege das LPG (Propan) nicht. Wende dich an einen LP-Gaslieferanten oder die Feuerwehr.
5. Bewahre kein Benzin oder andere brennbare Flüssigkeiten oder Dämpfe in der Nähe deines Ooni Karu 12 Ofens oder seines Zubehörs auf. Stecke kein Werkzeug und keine Fremdkörper in den Ventilausslass oder in das Sicherheitsentlastungsventil. Du könntest das Ventil beschädigen und ein Leck verursachen. Versuche niemals, deinen Ooni Gasbrenner für Ooni Karu 12 an das in sich geschlossene LP-Gassystem eines Wohnmobilihängers oder Wohnmobils anzuschließen. Betreibe deinen Ooni Karu 12 Ofen niemals mit LPG (Propan) in einer anderen Position als der in den Montageanweisungen angegebenen. Schließe immer das LPG-Ventil (Propan), bevor du das LPG (Propan) aus der angegebenen Betriebsposition bewegst. Schalte die Steuerung und die Gasquelle oder den Tank aus, wenn sie nicht verwendet werden.
6. Verwende den Ooni Gasbrenner für Ooni Karu 12 wie gekauft, nur mit LPG (Propan oder Butan) und der mitgelieferten Regler-/Ventilbaugruppe. Versuche nicht, den Schlauch/das Ventil/den Regler bei einem „vermutlichen“ Defekt zu reparieren oder zu ändern. Jede Änderung an dieser Baugruppe ist mit der Gefahr eines Gaslecks oder eines Brandes verbunden. Verwende nur autorisierte Ersatzteile, die von Ooni Limited geliefert werden. Bewahre niemals LPG (Propan) unter dem oder in der Nähe deines Ooni Karu 12 Ofens oder in einem geschlossenen Bereich auf. LPG (Propan), das nicht zur Verwendung angeschlossen ist, darf nicht in der Nähe deines Ooni Karu 12 Ofens oder eines anderen Geräts gelagert werden.
7. Du darfst dein Gasbrenner-Aufsatzteil für den Ooni Karu 12 in Verbindung mit deinem Ooni Karu 12 Ofen nur mit vorabgefülltem LPG (Propan) verwenden.

Unsachgemäß gelagertes LPG (Propan) birgt die Gefahr einer möglichen Gasfreisetzung aus dem Sicherheitsventil. Dies kann zu einem heftigen Brand mit der Gefahr von Sachschäden, schweren Verletzungen oder Tod führen. Wenn du siehst, riechst oder hörst, dass Gas entweicht, entferne dich sofort vom LPG (Propan)/Gerät und ruf die Feuerwehr an.

OONI LIMITED, OONI INC UND OONI GMBH ÜBERNEHMEN KEINE RECHTLICHE ODER SONSTIGE VERANTWORTUNG FÜR NEBEN- ODER FOLGESCHÄDEN AN EIGENTUM ODER PERSONEN, DIE AUS EINER NUTZUNG DES AUFSATZTEILS FÜR DEN OONI GASBRENNER FÜR OONI KARU 12 ENTSTEHEN, DIE EINER DER BESTIMMUNGEN DIESES RECHTLICHEN HAFTUNGSAUSSCHLUSSES WIDERSPRICHT.

OONI LIMITED, OONI INC UND OONI GMBH HAFTEN IN KEINEM FALL FÜR INDIREKTE, SONDER-, FOLGE- ODER SONSTIGE SCHÄDEN JEDLICHER ART, DIE ÜBER DEN URSPRÜNGLICHEN KAUFPREIS DEINES AUFSATZTEILS FÜR DEN OONI GASBRENNER FÜR OONI KARU 12 HINAUSGEHEN.

Manche Bundesstaaten oder Länder erlauben den Ausschluss oder die Begrenzung von Neben- oder Folgeschäden nicht, daher gelten solche Einschränkungen oder Ausschlüsse möglicherweise nicht für dich.

Sicherheitsinformationen

- Lies dir die Bedienungsanleitung vollständig durch, bevor du das Gerät benutzt.
- Nur für den Einsatz im Freien.
- Warnung! Zugängliche Teile können sehr heiß sein. Kinder fernhalten.
- Warnung! Vergewissere dich vor Gebrauch, dass die Beine des Ooni Karu 12 vollständig ausgefahren sind.
- Warnung! Zum Vermeiden elektrischer Stromschläge darf die Spitze der Elektrode beim Zünden des Brenners nicht berührt werden.
- Warnung! Deckenluftauslass und Kaminabzug während des Gebrauchs nicht verstellen.
- Warnung! Von heißer Abluft aus dem Kamin fernhalten.
- Warnung! Bitte Sorge dafür, dass der Abstand zwischen den Kanten der Ofenbeine und der Kante der Tischoberfläche stets mindestens 3,5 Zoll / 90 mm beträgt.
- Halte kleine Kinder fern.
- Verschiebe das Gerät während der Verwendung nicht.
- Schalte die Gaszufuhr nach Gebrauch an der Gasflasche aus.
- Ändere nichts am Gerät.
- Vom Hersteller oder Händler versiegelte Teile dürfen vom Anwender nicht manipuliert werden.
- Verwende beim Umgang mit heißen Komponenten immer Schutzhandschuhe.
- Die Lagerung eines Gerätes im Innenbereich ist nur zulässig, wenn der Zylinder abgetrennt und vom Gerät entfernt wird. Wenn das Gerät über einen bestimmten Zeitraum nicht verwendet wird, sollte es vom Ofen entfernt und in seiner Originalverpackung in einer trockenen staubfreien Umgebung gelagert werden.
- VORSICHT: Jegliche Reinigungs- und Wartungsarbeiten sollten nur dann durchgeführt werden, wenn der Ofen kühl ist und die Brennstoffzufuhr an der Gasflasche ausgeschaltet und diese abgetrennt ist.
- PRÜFE VOR DER BENUTZUNG DAS GERÄT UND DIE VERBINDUNGEN AUF LECKS: Führe die Überprüfung auf Lecks niemals mit einer offenen Flamme aus; verwende immer eine Seifenwasserlösung. Prüfung auf Lecks: Bei jedem Anschluss oder wenn das Gerät längere Zeit nicht verwendet wurde, sollte eine Dichtheitsprüfung durchgeführt werden. Stelle sicher, dass das Ventil in der richtigen Ausrichtung mit dem Venturi ist. Stelle sicher, dass der Schlauch keine Risse oder Kerben hat. WICHTIG: Wenn du ein Gasteck nicht stoppen kannst, schalte das Gastankventil aus und ruf deinen örtlichen Gastankhändler oder die Feuerwehr an.
- Das Gerät muss während des Gebrauchs von brennbaren Materialien ferngehalten werden.
- Achte beim Wechsel der Gasflasche darauf, dass der Knopf des Ooni Gasbrenners für Ooni Karu 12 in die AUS-Position gedreht wird. Trenne den Regler von der Gasflasche und entferne die Flasche. Stelle während dieses Vorgangs sicher, dass die Gasflasche mindestens einen Meter vom Ofen entfernt bleibt, um eine Entzündungsgefahr zu vermeiden.



Stehe beim Anzünden auf der Seite – schau niemals direkt in den Ofen oder auf die Flamme.



Der mitgelieferte Gasregler ist möglicherweise nicht für den Einsatz in deinem Gebiet oder deiner Region geeignet. Weitere Informationen findest du in deinen örtlichen Vorschriften.

Schritt 1 Schlauchrohr einbauen (falls erforderlich)

Die Regler und Schlauchanschlüsse unterscheiden sich je nach Region.

Wenn dein Ooni Gasbrenner für den Ooni Karu 12 ein offenes Schlauchende mit einem Gewinde hat, folge Schritt 1a.

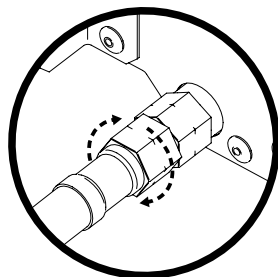
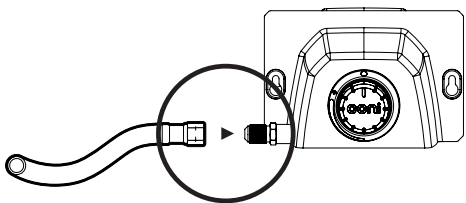
Wenn dein Ooni Gasbrenner für den Ooni Karu 12 eine Gewindetülle und einen normalen Schlauch mit Schlauchclip hat, folge Schritt 1b und dann 1c.

Wenn dein Ooni Gasbrenner für den Ooni Karu 12 einen normalen Schlauch mit Schlauchclip hat, folge Schritt 1c.

Wenn dein Ooni Karu 12 Gasbrenner über einen vorinstallierten Schlauch verfügt, fahre mit Schritt 2 fort.

Schritt 1a

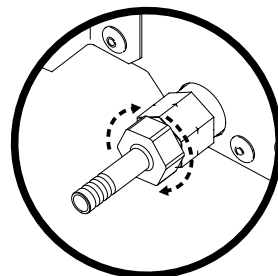
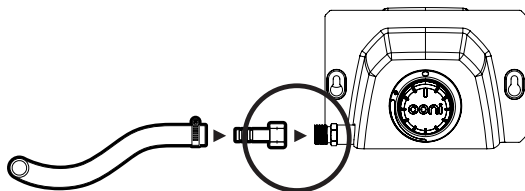
Mit geeigneten Schraubenschlüsseln festziehen.



! In der EU gegen den Uhrzeigersinn festdrehen.

Schritt 1b

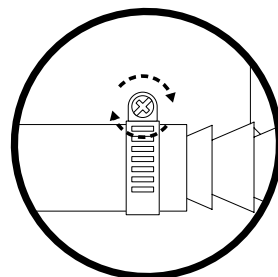
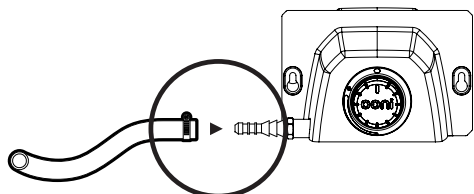
Mit geeigneten Schraubenschlüsseln festziehen, dann Schritt 1c folgen.



! In der EU gegen den Uhrzeigersinn festdrehen.

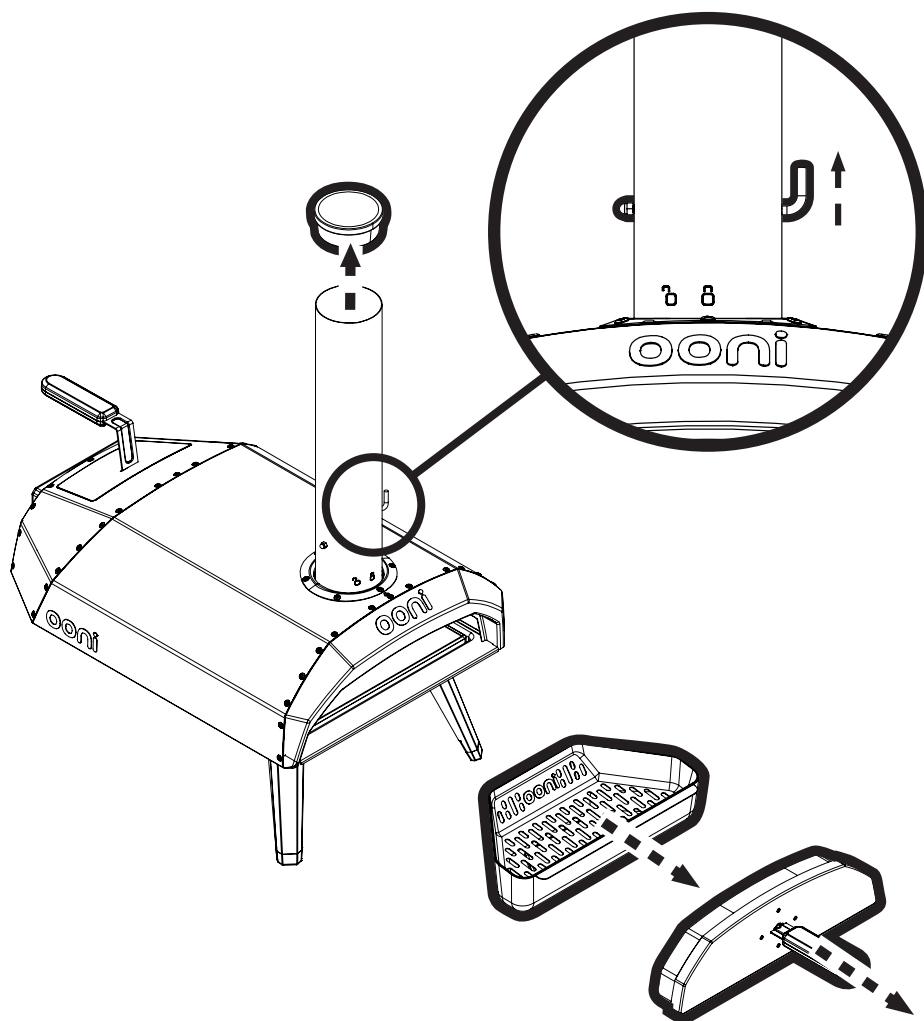
Schritt 1c

Mit geeignetem Schraubendreher festziehen.

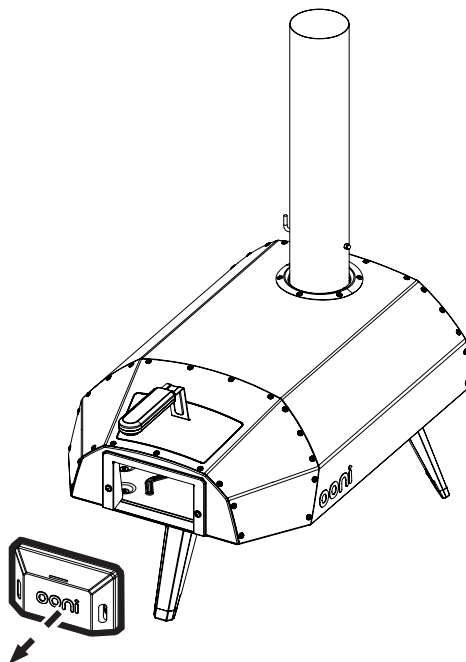
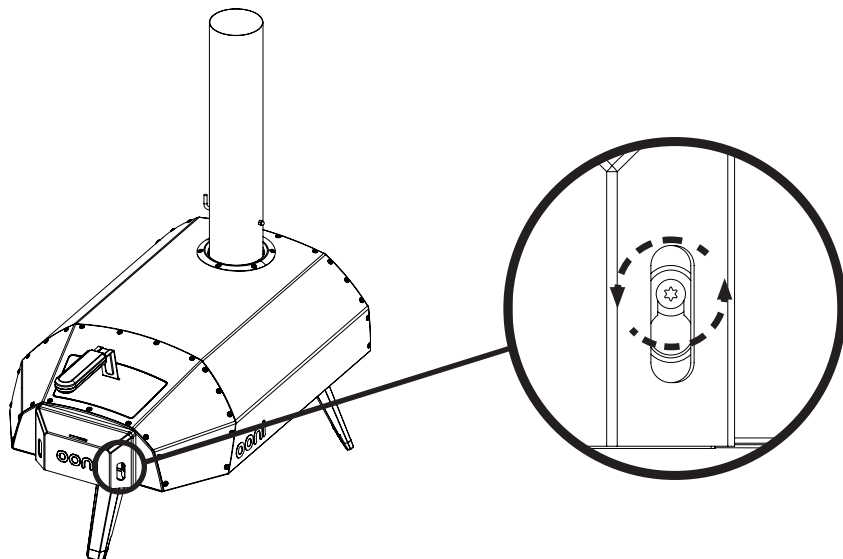


Schritt 2

Entferne die Tür und die Brennstoffschale und stelle sicher, dass die Kaminklappe geöffnet ist.

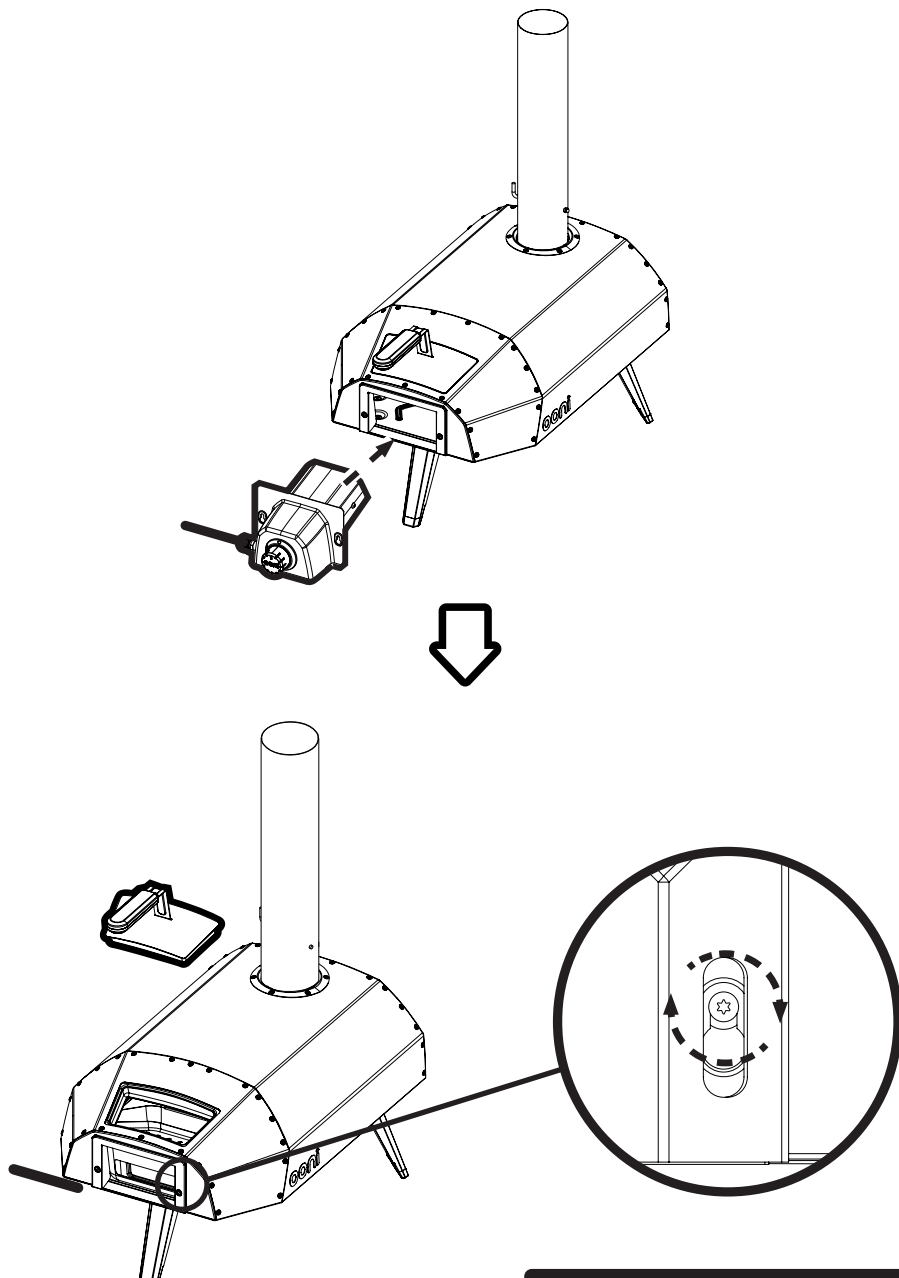


Schritt 3
Entferne die Luftzugschutzklappe.



4. Schritt

Ooni Gasbrenner für den Ooni Karu 12 hinzufügen

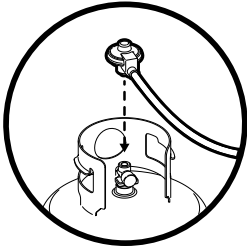


! Ziehe die Schrauben fest, aber überdrehe sie nicht.

Schritt 5

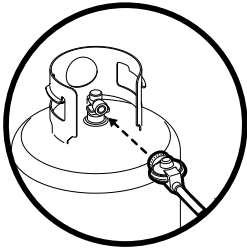
Die Gasflasche anschließen.

Die Regler variieren je nach Region.



Patio-Gasregler

Dies ist ein Gasanschluss zum Einstecken. Stelle sicher, dass sich der schwarze Schalter in einer waagrechten Stellung befindet. Drücke die Taste unterhalb des schwarzen Schalters und drücke den Regler auf das Tankventil auf, bis er einrastet.

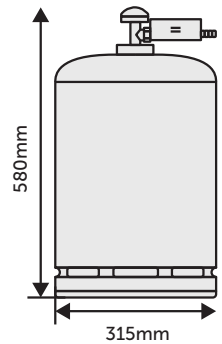


POL-Gasregler

Dies ist ein Gasanschluss mit einem Schraubgewinde gegen den Uhrzeigersinn. Stelle sicher, dass der Tank vollständig ausgeschaltet ist, und schraube den Regler auf den Gastankventilanschluss, bis er festgezogen ist.

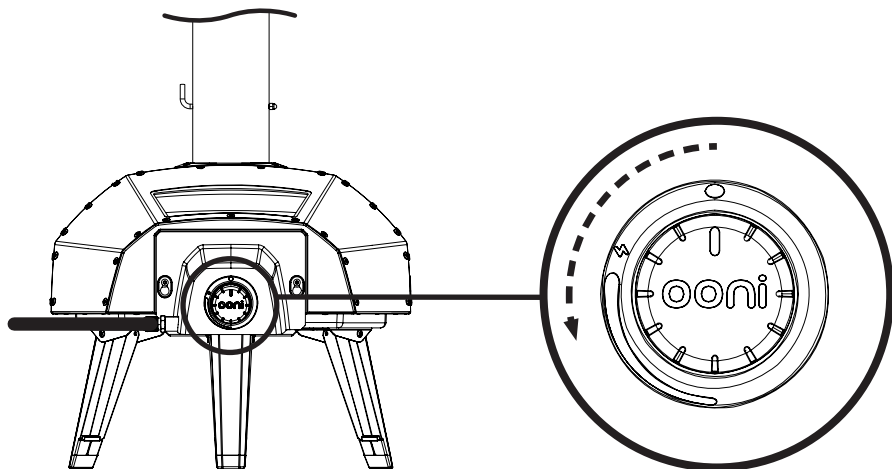
Gassicherheitsinformationen

- Das Gerät muss mindestens einen Meter von brennbaren Materialien entfernt aufgestellt sein.
- Der Ofen sollte auf eine nicht brennbare, stabile und flache Oberfläche gestellt werden.
- Stelle sicher, dass dein Ofen in einem Bereich platziert ist, der nicht widrigen Wetterbedingungen ausgesetzt ist.
- Das Gerät darf nur mit Propan LPG verwendet werden. Die Mindestkapazität des Zylinders beträgt 4 kg, seine maximale Kapazität ist 13 kg.
- Verwende einen geeigneten, nach EN 16129 zertifizierten Regler und einen nach EN 16436 zertifizierten flexiblen Schlauch.
- Die Länge des Schlauches darf nicht mehr als 1,5 Meter betragen. Ein verschlissener oder beschädigter Schlauch muss ausgetauscht werden. Stelle sicher, dass der Schlauch nicht behindert, geknickt oder mit einem anderen Teil des Ofens als dem Anschluss in Berührung gekommen ist.
- Der Gaszufuhrschlauch sollte regelmäßig überprüft und bei Beschädigung oder mindestens alle zwei Jahre ausgetauscht werden.
- Die nationalen Anforderungen deines Landes werden dich darüber informieren, wie oft du den Schlauch austauschen musst. Überprüfe diese Anforderungen für dein Land regelmäßig.
- Bei blockierten Venturi schalte die Brenneinheit sofort aus, schalte die Gaszufuhr aus, trenne den Gasschlauch von der Gasflasche ab und warte, bis der Ofen abgekühlt ist, um dann den Schlauch vom Ofen zu entfernen.
- Stelle sicher, dass das Gerät vor jedem Gebrauch frei von Schmutz ist. Wenn sich Schmutz ansammelt, verwende eine Bürste, um ihn zu entfernen, wenn das Gerät abgekühlt ist.

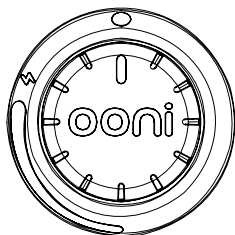


Schritt 6 Anzünder

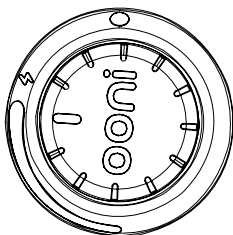
1. Schalte das Gas auf der Gasflasche ein.
2. Drücke den Knopf und drehe ihn gegen den Uhrzeigersinn, bis er klickt. Drehe ihn nicht zu schnell. Vom Drücken bis zum Klicken sollten etwa drei Sekunden vergehen.
3. Halte den Knopf fünf Sekunden lang gedrückt und lasse ihn dann los.



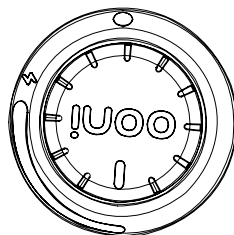
Aus



Maximale Leistung



Minimale Leistung

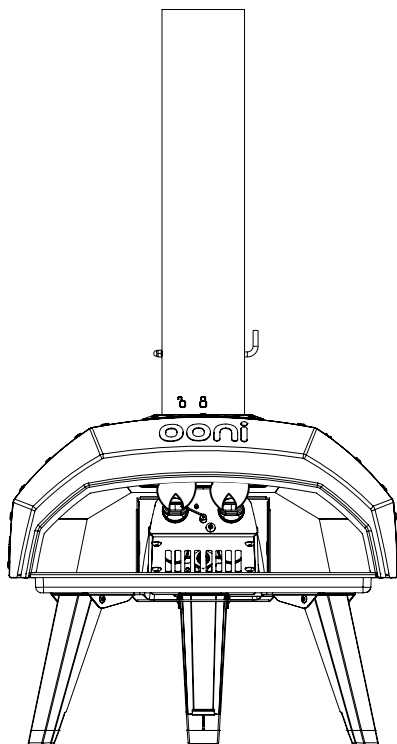


Stehe beim Anzünden in sicherem Abstand von der Tür – stelle sicher, dass sich niemand näher als 1 Meter (3 Fuß) zur Vorderseite des Ofens aufhält. Bleib beim Anzünden mindestens eine Armlänge vom Ofen entfernt und lehne dich beim Anzünden nicht über den Ofen.

Schritt 7

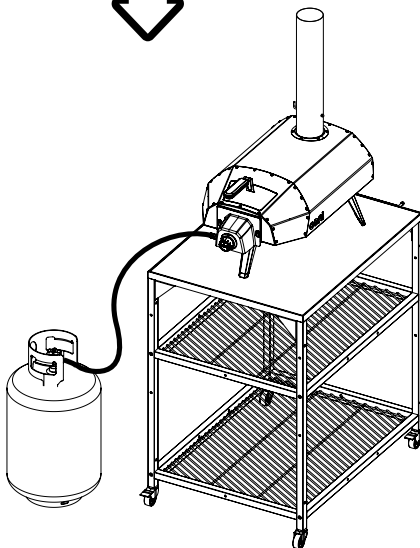
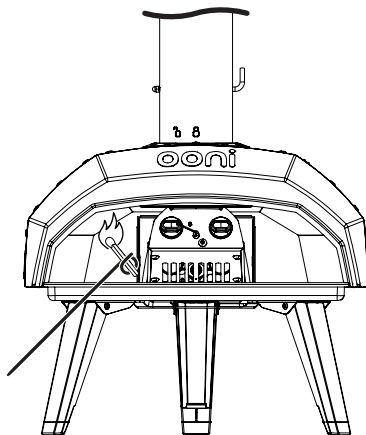
Vergewissere dich, dass der Gasbrenner eingeschaltet ist.

1. Wenn nicht, schalte das Gas aus und gehe zurück zu Schritt 6.
2. Wenn sich der Brenner immer noch nicht anzünden lässt, fahre mit Schritt 8 fort.



Schritt 8 Anzünden – mit einem Streichholz

Wenn sich der Brenner immer noch nicht entzündet, schalte das Gas ein und zünde ihn mit einem Streichholz und mithilfe des mitgelieferten Streichholzhalters durch die Vorderseite des Ofens an. Halte das Streichholz vor die Brennerdüsen. Drücke und drehe den Knopf wie in Schritt 6 beschrieben.



! Richte den Gasschlauch immer weg vom Ofen aus. Der Schlauch darf nicht den Ofenkörper berühren.

! Wenn die Flammen ausgehen, schalte das Gas aus und warte fünf Minuten, bevor du das Gerät wieder anzündest.

Fehlerbehebung

Problem	Mögliche Ursache	Vorbeugung / Lösung
Mein Ofen wird nicht heiß genug.	<ol style="list-style-type: none"> 1. Leere Gasflasche 2. Risse oder Leck am Schlauch 3. Regler falsch angebracht 4. Betrieb unter extremen Bedingungen 	<ol style="list-style-type: none"> 1. Überprüfe, ob die Gasflasche voll ist. Auch eine Flasche mit wenig Gas im Inneren kann die Leistung des Gasbrenners beeinträchtigen. 2. Stelle sicher, dass keine Risse oder Lecks am Schlauch vorhanden sind. 3. Stelle sicher, dass der Regler ordnungsgemäß an der Gasflasche befestigt ist und der Schlauch fest am Gasbrenner angebracht ist, also mit entsprechenden Schraubenschlüsseln in geeigneter Größe festgezogen wurde, wie es in der Bedienungsanleitung beschrieben ist. 4. Dein Gasbrenner und Backofen sollte nicht unter extremen Bedingungen (z. B. bei starkem Wind) verwendet werden.
Mein Gasbrenner lässt sich nicht anzünden.	<ol style="list-style-type: none"> 1. Unsachgemäße Aufstellung 2. Leere Gasflasche 3. Risse oder Leck am Schlauch 4. Unsachgemäße Anzündmethode 5. Regler falsch angebracht 6. Unsachgemäße Einstellung des Anzünders 	<ol style="list-style-type: none"> 1. Stelle sicher, dass die Schornsteinkappe entfernt wurde und die Deckenöffnungen und die Schornsteinöffnung geöffnet sind. Die Tür sollte geöffnet sein. 2. Überprüfe, ob die Gasflasche voll ist. Auch eine Flasche mit wenig Gas im Inneren kann die Leistung des Gasbrenners beeinträchtigen. 3. Stelle sicher, dass keine Risse oder Lecks am Schlauch vorhanden sind. 4. Wenn der Knopf zu schnell gedreht wird, kann dies den Gasbrenner vom Zünden abhalten. 5. Stelle sicher, dass der Regler ordnungsgemäß an der Gasflasche befestigt ist und der Schlauch fest am Gasbrenner angebracht ist, also mit entsprechenden Schraubenschlüsseln in geeigneter Größe festgezogen wurde, wie es in der Bedienungsanleitung beschrieben ist. 6. Bewege die Spitze des Anzünders 2-3 mm weg von der Vorderseite der Brennerkappe.
Meine Flamme ist zu gelb / zu blau.	Die Umgebungsbedingungen, das Essen, das du zubereitest, die Umgebungstemperatur und der Zustand deines Ooni-Ofens können die Farbe der Flamme beeinflussen.	Die Farbe deiner Flamme wird den Geschmack oder die Qualität deines Essens nicht beeinträchtigen.
Mein FSD funktioniert nicht richtig.	Auf meiner FSD-Sonde sammelt sich Ruß an.	Stelle sicher, dass der Gasbrenner und die Gasversorgung ausgeschaltet sind, warte, bis der Brenner abgekühlt ist, reinige die Sonde und die Brennerlöcher vorsichtig mit einem feuchten Tuch und lass den Brenner vor dem erneuten Anzünden vollständig trocknen.
Der Gasbrenner für Ooni kann seine Flamme nicht aufrechterhalten.	<ol style="list-style-type: none"> 1. Sauerstoffmangel. 2. Ofen ist auf einer unebenen Oberfläche platziert. 	<ol style="list-style-type: none"> 1. Öffne die Schornsteinöffnung deines Ooni Pro, um einen besseren Luftstrom durch den Ofen zu fördern. 2. Wenn dein Ooni beim Einrichten schräg steht, strömt der Sauerstoff nicht so gut. Versuche, ihn auf einer ebenen Fläche aufzustellen.
Ich höre ein „brüllendes Geräusch“ aus dem Gasbrenner und die Flammen sind sehr schwach.	Flamme brennt innerhalb der Venturi.	Schalte die Gasversorgung und den Gasbrenner sofort aus, warte fünf Minuten und zünde den Gasbrenner wieder an.

Technische Angaben zum Produkt

Modellnummer

Ooni Karu 12 Gasbrenner

Produktetikett

ooni	
Ooni Limited, 189 West Main Street, Broxburn, Scotland, EH52 5LH	I3B/P(30)
	Butane, Propane or their mixture
	28 - 30 mbar
Ooni Karu 12 Gas Burner	5.3 kW, 386g/h
DK, FI, IT, NL, NO, SE, LU, MT	0.81 mm * 2
DE: Butan, Propan oder eine Mischung davon DK: Butan, propan eller en blanding af disse ES: Butano, propano o sus mezclas FI: Butaani, propani tai niiden seos IT: Butano, propano o una miscela dei due NL: Butaan, propan of hun mengsel NO: Butan, propan eller deres blandinger SE: Butan, propan eller en blandning av de två	SN

Injektoren

Injektorkennzeichnung: **0,81 mm**

Kennzeichnung: **0,81**

Descargo de responsabilidad legal sobre seguridad: debe leerse por completo antes de usar el producto.

Lea el presente descargo de responsabilidad legal íntegramente antes de montar, instalar y utilizar la pieza de conexión del quemador de gas Ooni para el Ooni Karu 12 conectada a su horno Ooni Karu 12. El incumplimiento de alguna de las estipulaciones del presente descargo de responsabilidad legal podría resultar en daños materiales, lesiones graves o incluso la muerte, o en un incendio que cause daños a la propiedad.

1. Cuando utilice el horno Ooni Karu 12 junto con la pieza de conexión del quemador de gas Ooni para el Ooni Karu 12, tenga en cuenta que (1) la pieza de conexión del quemador de gas Ooni para el Ooni Karu 12 solo debe utilizarse con su horno Ooni, lo que excluye cualquier otro aparato, y (2) la totalidad de las disposiciones del Descargo de responsabilidad legal sobre seguridad del horno Ooni Karu 12 también se aplica al uso de la pieza de conexión del quemador de gas Ooni para el Ooni Karu 12, además de las disposiciones del presente Descargo de responsabilidad legal sobre seguridad. Se recomienda encarecidamente que no utilice su horno Ooni Karu 12 con la pieza de conexión del quemador de gas Ooni para el Ooni Karu 12 hasta que su horno Ooni Karu 12 se haya sometido a una prueba de fugas de gas completa y adecuada.
2. Los derivados de la combustión, producidos al utilizar el horno Ooni Karu 12 con la pieza de conexión del quemador de gas Ooni para el Ooni Karu 12, contienen carbono y monóxido de carbono en los gases de escape del quemador de gas Ooni para el Ooni Karu 12; estas sustancias, si se inhalan en interiores o en cualquier otra zona sin ventilación, son conocidas como una posible causa de muerte por asfixia o intoxicación por monóxido de carbono.
3. Si el quemador de gas Ooni para el Ooni Karu 12 no se enciende, ponga los mandos en posición de apagado (OFF), espere 5 minutos y vuelva a intentarlo. Cierre siempre la válvula de gas durante el periodo de espera de 5 minutos. Si el quemador de gas Ooni para el Ooni Karu 12 no se enciende con la válvula abierta, el gas seguirá saliendo del quemador de gas Ooni para el Ooni Karu 12 y podría prender accidentalmente con el consiguiente riesgo de sufrir lesiones.
4. Si se detecta una fuga de gas en cualquier momento, PARE y llame a los bomberos. Las fugas de propano pueden provocar una explosión, un incendio, lesiones personales graves o la muerte. Si detecta olor a gas (1) cierre el gas del aparato, (2) apague cualquier llama abierta y (3) si el olor persiste, manténgase alejado de su horno Ooni Karu 12 y llame inmediatamente a su proveedor de gas o a los bomberos. Si no puede detener una fuga de gas, cierre inmediatamente la válvula de GLP (propano) y llame al proveedor de gas LP o a los bomberos. Si aparecen burbujas «crecientes» en la bombona, no utilice ni mueva el GLP (propano). Póngase en contacto con el proveedor de gas LP o con los bomberos.
5. No almacene ni utilice gasolina u otros líquidos o vapores inflamables cerca de su horno Ooni Karu 12 ni de ningún otro aparato. No introduzca ninguna herramienta u objeto extraño en la salida de la válvula ni en la válvula de seguridad. Puede dañar la válvula y provocar una fuga. Nunca intente conectar su quemador de gas Ooni para el Ooni Karu 12 al sistema de gas LP autónomo de una caravana o autocaravana. Nunca opere su horno Ooni Karu 12 con el GLP (propano) en otra posición que no sea la especificada en las instrucciones de montaje. Cierre siempre la válvula de GLP (propano) antes de mover el GLP (propano) de la posición de funcionamiento especificada. Ponga los mandos y la fuente de gas o el tanque en la posición de apagado (OFF) cuando no esté en uso.
6. Utilice el quemador de gas Ooni para el Ooni Karu 12, tal como lo compró, solo con GLP (propano) y el conjunto de regulador y válvula suministrado. No intente reparar o modificar el tubo flexible, la válvula o el regulador por cualquier «supuesto» defecto. Cualquier modificación de este conjunto conlleva riesgo de fuga de gas e incendio. Use únicamente piezas de repuesto autorizadas suministradas por Ooni Limited. NUNCA almacene un repuesto de GLP (propano) debajo o cerca de su horno Ooni Karu 12 o en una zona cerrada. El GLP (propano) que no esté conectado para su uso no debe almacenarse cerca de su horno Ooni Karu 12 ni de ningún otro aparato.
7. Deberá utilizar la pieza de conexión del quemador de gas Ooni para el Ooni Karu 12 en su horno Ooni Karu 12 únicamente con GLP (propano) envasado.

El GLP (propano) mal almacenado es un peligro debido a la posible liberación de gas por la válvula de seguridad. Esto podría provocar un gran incendio con riesgo de daños materiales, lesiones graves o la muerte. Si ve, huele o escucha una fuga de gas, aléjese inmediatamente del aparato o del GLP (propano) y llame a los bomberos.

OOINI LIMITED, OONI INC O OONI GMBH NO ACEPTAN NINGUNA RESPONSABILIDAD, LEGAL O DE OTRO TIPO, POR LOS DAÑOS INCIDENTALES O CONSECUENTES A LA PROPIEDAD O A LAS PERSONAS QUE RESULTEN DEL USO DE LA PIEZA DE CONEXIÓN DEL QUEMADOR DE GAS OONI PARA EL OONI KARU 12 QUE NO CUMPLA O NO HAYA CUMPLIDO ALGUNA DE LAS DISPOSICIONES DEL PRESENTE DESCARGO DE RESPONSABILIDAD LEGAL SOBRE SEGURIDAD.

OOINI LIMITED, OONI INC O OONI GMBH NO SERÁN EN NINGÚN CASO RESPONSABLES DE NINGÚN DAÑO ESPECIAL, INDIRECTO, CONSECUENTE O DE CUALQUIER OTRA NATURALEZA QUE SUPERE EL PRECIO ORIGINAL DE COMPRA DE LA PIEZA DE CONEXIÓN DEL QUEMADOR DE GAS OONI PARA EL OONI KARU 12.

Algunos estados o países no permiten la exclusión o limitación de los daños incidentales o consecuentes, por lo que dichas limitaciones o exclusiones pueden no aplicarse en su caso.

Información de seguridad

- Lea las instrucciones antes de usar el aparato.
- Solo para uso al aire libre.
- ¡Advertencia! Las piezas accesibles pueden estar muy calientes. Mantenga alejados a los niños.
- ¡Advertencia! Asegúrese de que las patas del Ooni Karu 12 estén totalmente extendidas antes de usar
- ¡Advertencia! Para evitar descargas eléctricas, no toque la punta del electrodo cuando encienda el quemador.
- ¡Advertencia! No ajuste el conducto de ventilación del techo ni el de la chimenea durante el uso.
- ¡Advertencia! Manténgase alejado de los gases de escape calientes que emanan de la chimenea.
- ¡Advertencia! Asegúrese de que haya una distancia mínima de 90 mm entre los bordes de cualquiera de las patas del horno y el borde de la superficie de la mesa.
- Mantenga alejados a los niños.
- No mueva el aparato mientras esté en uso.
- Cierre el suministro de gas en la bombona después de su uso.
- No modifique el aparato.
- El usuario no debe manipular las piezas selladas por el fabricante o el agente.
- Utilice siempre guantes de protección cuando manipule componentes calientes.
- El almacenamiento de un aparato en el interior solo está permitido si la bombona está desconectada y retirada del aparato. Cuando el aparato no se utilice durante un periodo de tiempo prolongado, debe sacarse del horno y guardarse en su embalaje original en un entorno seco y sin polvo.
- PRECAUCIÓN: Toda la limpieza y el mantenimiento deben realizarse cuando el horno esté frío y con el suministro de combustible cerrado en la bombona de gas y desconectado.
- ANTES DE USAR EL APARATO, COMPRUEBE QUE NO HAYA FUGAS EN LAS CONEXIONES: No compruebe nunca las fugas con una llama abierta, utilice siempre una solución de agua jabonosa. Prueba de estanqueidad: realice una prueba de estanqueidad cada vez que se conecte un nuevo depósito de gas o después de un largo periodo sin haber utilizado el aparato. Asegúrese de que la válvula esté correctamente alineada con el venturi. Asegúrese de que el tubo flexible no tenga grietas ni roturas. IMPORTANTE: Si no puede detener una fuga de gas, cierre la válvula del depósito de gas y llame a su distribuidor local de depósitos de gas o a los bomberos.
- El aparato debe mantenerse alejado de cualquier material inflamable durante su uso.
- Cuando cambie la bombona de gas, asegúrese de que el mando del quemador de gas Ooni para el Ooni Karu 12 esté girado hasta la posición de apagado, desconecte el regulador de la bombona de gas y retire la bombona. Durante todo este proceso, asegúrese de que la bombona se mantenga a un mínimo de 1 metro de distancia del horno para evitar riesgos de ignición.



Colóquese a un lado cuando vuelva a encenderlo, nunca mire directamente al horno o a la llama.



Es posible que el regulador de gas suministrado no sea adecuado para su territorio o región, consulte la normativa local para obtener más información.

Paso 1 Instalar el tubo flexible (si es necesario)

Los reguladores y las conexiones de los tubos flexibles varían en función de su región.

Si su quemador de gas Ooni para el Ooni Karu 12 tiene un extremo de tubo flexible hembra con rosca, siga el paso 1a.

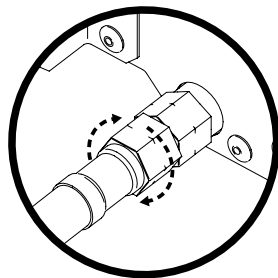
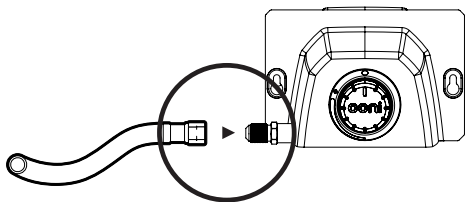
Si su quemador de gas Ooni para el Ooni Karu 12 tiene un extremo roscado y un tubo flexible normal con una pinza para tubo, siga el paso 1b y luego el 1c.

Si su quemador de gas Ooni para el Ooni Karu 12 tiene un tubo flexible normal con una pinza para tubo siga el paso 1c.

Si su quemador de gas Ooni para el Ooni Karu 12 tiene el tubo flexible preinstalado continúe con el paso 2.

Paso 1a

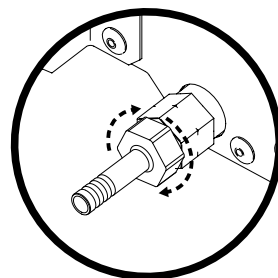
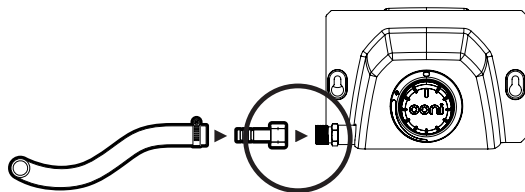
Apretar con las llaves adecuadas



! Apriete en sentido contrario a las agujas del reloj en la UE.

Paso 1b

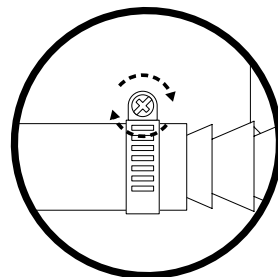
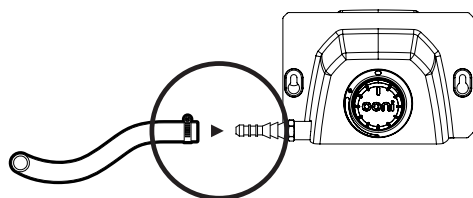
Apretar con las llaves adecuadas y seguir el paso 1c.



! Apriete en sentido contrario a las agujas del reloj en la UE.

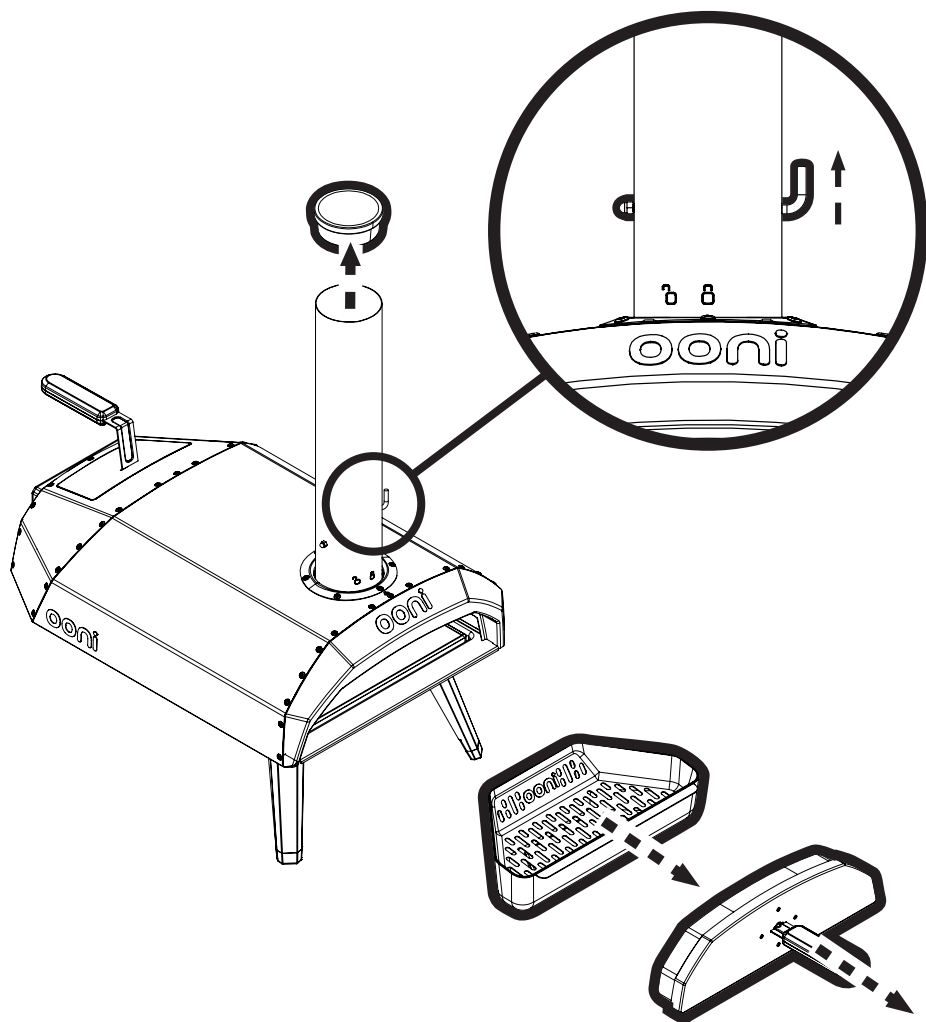
Paso 1c

Apretar con el destornillador adecuado.



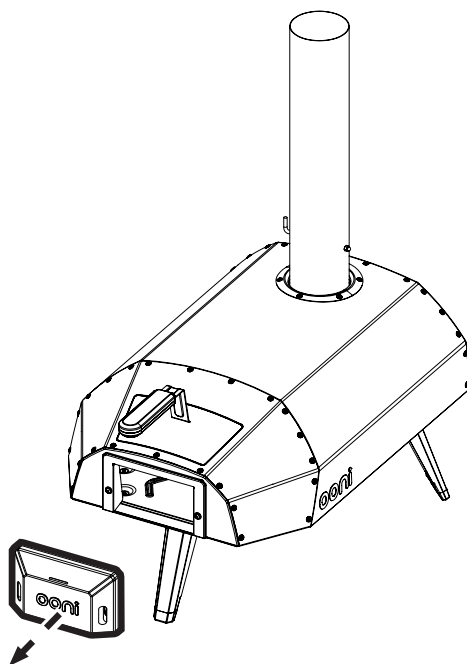
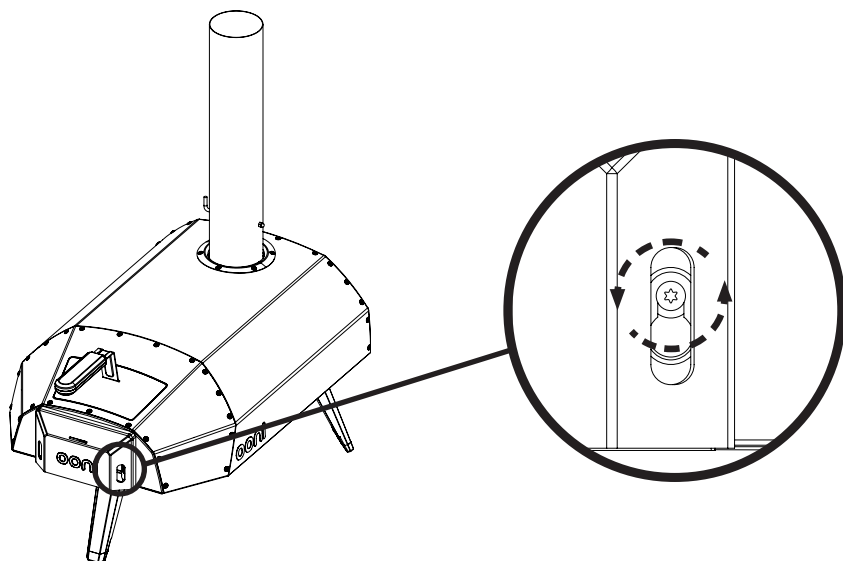
Paso 2

Retire la puerta y la bandeja de combustible y asegúrese de que el conducto de ventilación de la chimenea esté abierto



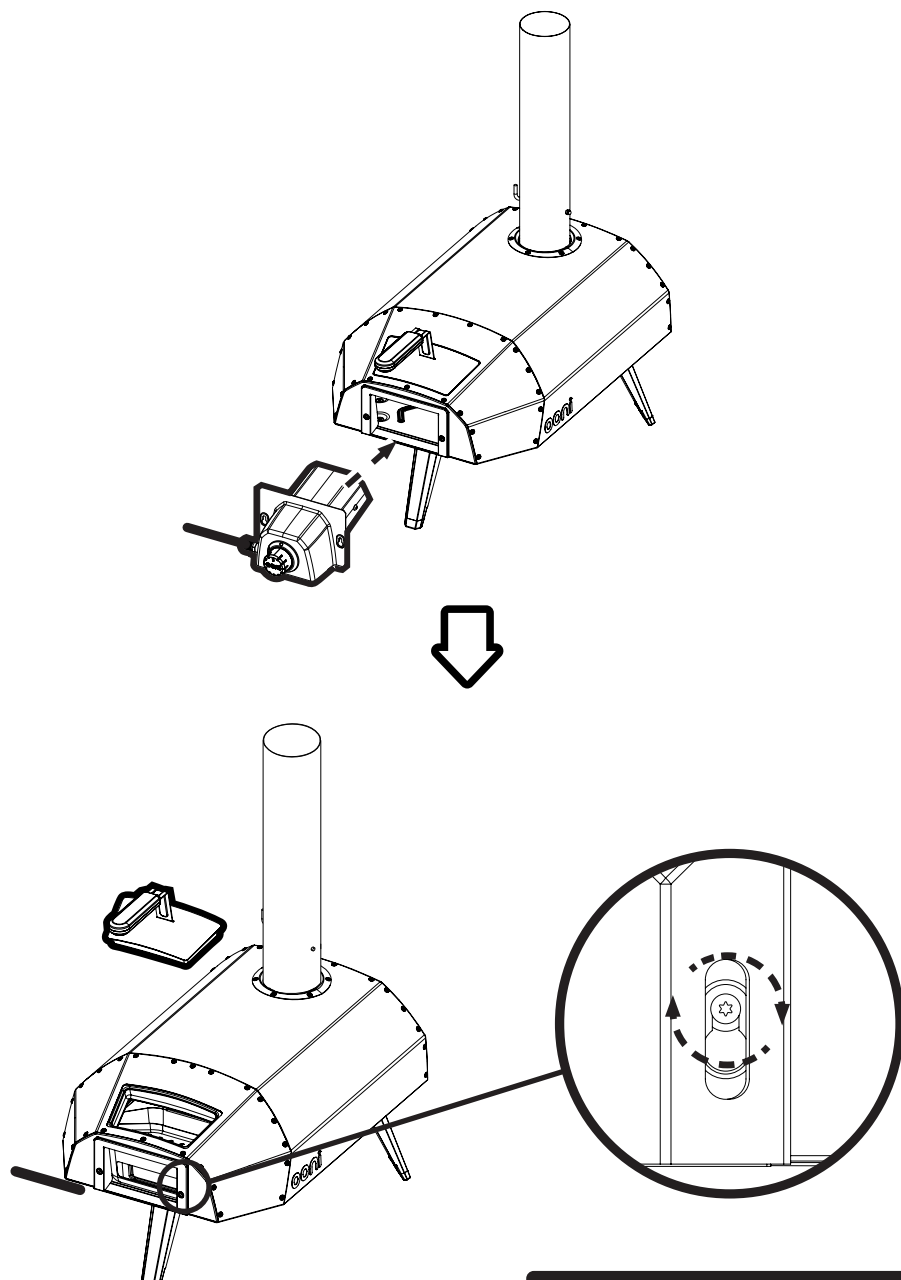
Paso 3

Retire la placa protectora de corrientes de aire



Paso 4

Coloque el quemador de gas Ooni para el Ooni Karu 12

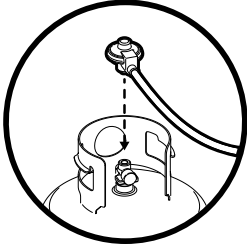


! No apriete en exceso los tornillos

Paso 5

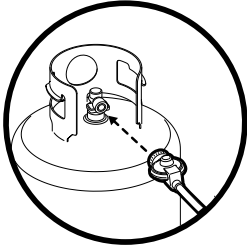
Conecte la bombona de gas

Los reguladores varían en función de la región.



Regulador de gas para patio

Se trata de un adaptador de gas de ajuste a presión. Asegúrese de que el interruptor negro esté en posición horizontal. Apriete el botón situado debajo del interruptor negro y presione el regulador sobre la válvula del depósito hasta que quede encajado.

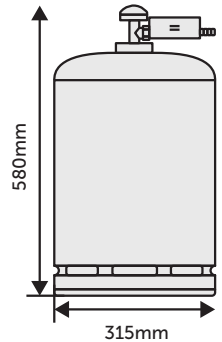


Regulador de gas POL

Se trata de un accesorio de gas que se ajusta mediante rosca en sentido contrario a las agujas del reloj. Asegúrese de que el depósito esté completamente cerrado y enrosque el regulador en el adaptador de la válvula del depósito de gas hasta que quede apretado.

Información de seguridad respecto al gas

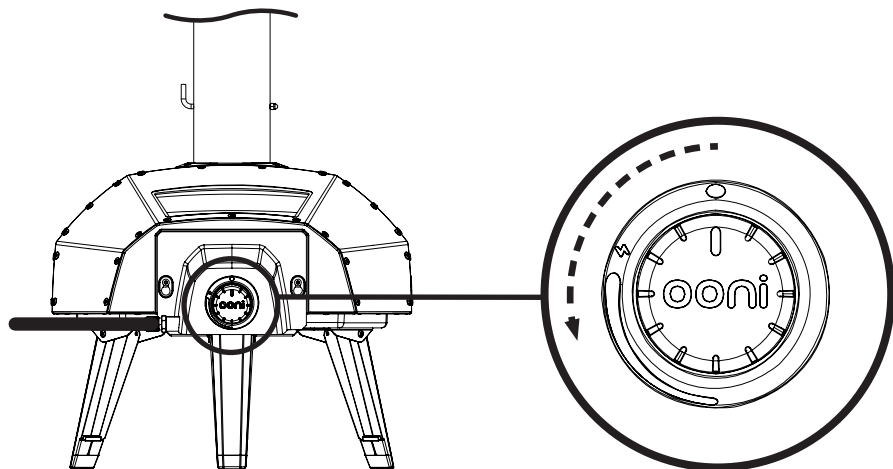
- El aparato debe instalarse como mínimo a un metro de cualquier material inflamable.
- El horno debe colocarse sobre una superficie no inflamable, estable y plana.
- Asegúrese de que su horno esté situado en una zona que no se vea afectada por las inclemencias del tiempo.
- El aparato solo se puede usar con propano GLP. Capacidad mínima de la bombona 4 kg. Capacidad máxima de la bombona 13 kg.
- Utilice un regulador adecuado provisto y certificado según la norma EN 16129 y un tubo flexible certificado según la norma EN 16436.
- La longitud del tubo flexible no debe ser superior a 1,5 metros. Los tubos flexibles desgastados o dañados deben ser sustituidos. Asegúrese de que el tubo no esté obstruido, doblado o en contacto con cualquier parte del horno que no sea su conexión.
- El tubo de suministro de gas debe revisarse periódicamente y sustituirse si está dañado y cada dos años como mínimo.
- Los requisitos nacionales de su país le indicarán la frecuencia con la que debe sustituir el tubo. Revise regularmente estos requisitos para su país.
- En el caso de que el venturi esté bloqueado, apague inmediatamente la unidad del quemador, cierre el suministro de gas, desconecte el suministro de gas y espere hasta que se enfríe para retirarlo del horno.
- Asegúrese de que el aparato esté libre de residuos antes de cada uso. Si se acumulan residuos, utilice un cepillo para eliminarlos cuando el aparato se haya enfriado.



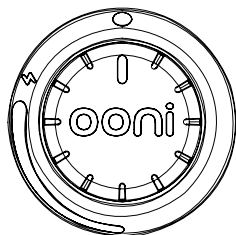
Paso 6

Encendido

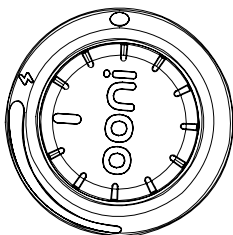
1. Abra el gas en la bombona.
2. Presione y gire el botón en sentido contrario a las agujas del reloj hasta que haga clic. No lo gire demasiado rápido.
Desde que pulsa el botón hasta que escucha el clic deberían pasar unos 3 segundos
3. Mantenga pulsado el botón durante 5 segundos y suéltelo.



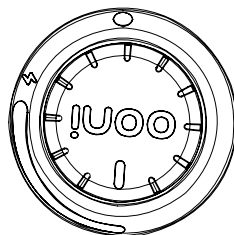
Apagado



Potencia máxima



Potencia mínima

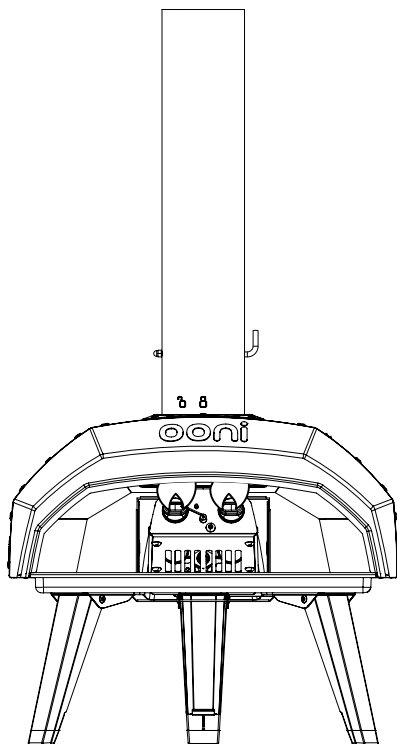


Manténgase alejado del horno cuando lo encienda: asegúrese de que nadie esté a menos de un metro de la parte delantera del horno. Manténgase a la distancia de los brazos estirados del horno al encenderlo, y no se incline sobre el horno cuando lo vaya a encender.

Paso 7

Compruebe que el quemador de gas esté conectado

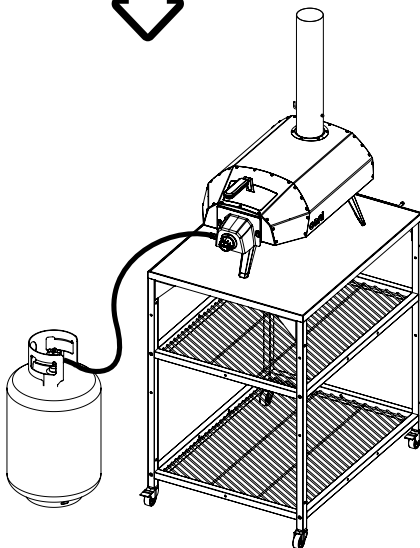
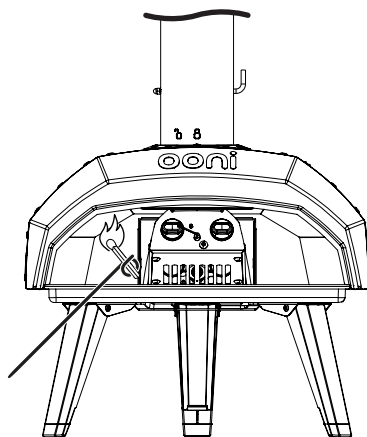
1. En caso contrario, cierre el gas y vuelva al paso 6.
2. Si el quemador sigue sin encenderse, vaya al paso 8.



Paso 8

Encendido usando una cerilla

Si el quemador sigue sin encenderse, abra el gas y enciéndalo con una cerilla y el soporte de cerillas suministrado a través de la parte delantera del horno. Manténgala delante de los quemadores. Presione y gire el mando como se describe en el paso 6.



! Dirija siempre el tubo flexible de gas lejos del horno. El tubo no debe tocar el cuerpo del horno

! Si las llamas se apagan, cierre el gas y espere 5 minutos antes de volver a encenderlo

Resolución de problemas

Problema	Posible causa	Prevención / Solución
Mi horno no se calienta lo suficiente	<ol style="list-style-type: none"> 1. Bombona de gas vacía 2. Grieta o rotura en el tubo flexible 3. Regulador mal acoplado 4. Funcionamiento en condiciones extremas 	<ol style="list-style-type: none"> 1. Compruebe que la bombona de gas esté llena, incluso una bombona con poco gas dentro puede afectar al rendimiento del quemador de gas 2. Asegúrese de que no haya grietas ni roturas en el tubo flexible 3. Asegúrese de que el regulador esté correctamente fijado a la bombona de gas y que el tubo flexible esté firmemente unido al quemador de gas apretado con llaves del tamaño adecuado como se indica en el manual de instrucciones 4. El quemador y el horno de gas no deben utilizarse en condiciones extremas (por ejemplo, con mucho viento)
Mi quemador de gas no se enciende	<ol style="list-style-type: none"> 1. Ajuste inadecuado 2. Bombona de gas vacía 3. Grieta o rotura en el tubo flexible 4. Técnica de encendido inadecuada. 5. Regulador mal acoplado 6. Alineación inadecuada del encendedor 	<ol style="list-style-type: none"> 1. Asegúrese de que la tapa de la chimenea se haya retirado y que los conductos de ventilación del techo y de la chimenea estén abiertos. La puerta debería estar abierta. 2. Compruebe que la bombona de gas esté llena, incluso una bombona con poco gas dentro puede afectar al rendimiento del quemador de gas 3. Asegúrese de que no haya grietas ni roturas en el tubo flexible 4. Girar el mando demasiado rápido puede evitar que el quemador de gas se encienda. 5. Asegúrese de que el regulador esté correctamente fijado a la bombona de gas y que el tubo flexible esté firmemente unido al quemador de gas apretado con llaves del tamaño adecuado como se indica en el manual de instrucciones 6. Vuelva a colocar la punta del encendedor para que esté a 2-3 mm de la parte delantera de la tapa del quemador.
La llama es demasiado amarilla o demasiado azul	Las variaciones en el entorno, los alimentos que cocine, la temperatura ambiente y el estado de su horno Ooni pueden afectar al color de la llama	El color de la llama no afectará al sabor ni a la calidad de su comida.
Mi sonda FSD no funciona correctamente	Puede haber acumulación de hollín en la sonda FSD	Asegúrese de que el quemador de gas y el suministro de gas estén apagados, espere a que el quemador se enfríe, limpie suavemente la sonda y los orificios del quemador con un paño húmedo y deje que el quemador se seque completamente antes de volver a encenderlo.
El quemador de gas para Ooni no mantiene la llama	<ol style="list-style-type: none"> 1. Falta de oxígeno 2. Horno colocado sobre una superficie irregular 	<ol style="list-style-type: none"> 1. Abra el respiradero de la chimenea de su Ooni Pro para favorecer un mejor flujo de aire a través del horno 2. Si su Ooni está en pendiente al instalarlo, el oxígeno no fluirá tan bien. Intente instalarlo en una superficie plana.
Puedo oír un «sonido de rugido» procedente del quemador de gas y las llamas son muy débiles	La llama arde dentro de los desahogos	Desconecte el suministro de gas y el quemador de gas inmediatamente, espere 5 minutos y vuelva a encender el quemador de gas.

Información técnica del producto

Número de modelo

Quemador de gas Ooni Karu 12

Etiqueta del producto

ooni	
Ooni Limited, 189 West Main Street, Broxburn, Scotland, EH52 5LH	13B/P(30)
	Butane, Propane or their mixture
	28 - 30 mbar
Ooni Karu 12 Gas Burner	5.3 kW, 386g/h
DK, FI, IT, NL, NO, SE, LU, MT	0.81 mm * 2
DE: Butan, Propan oder eine Mischung davon DK: Butan, propan eller en blanding af disse ES: Butano, propano o sus mezclas FI: Butaani, propani tai niiden seos IT: Butano, propano o una miscela dei due NL: Butaan, propan of hun mengsel NO: Butan, propan eller deres blandinger SE: Butan, propan eller en blandning av de två	SN

Inyectores

Marcado del inyector: **0,81 mm**

Marcado: **0,81**

Turvallisuuden laillinen vastuuvapausilmoitus – luettava täysin ennen tuotteen käyttöä.

Lue nykyinen laillinen vastuuvapausilmoitus täysin ennen Ooni Karu 12 -uuniin liitettävän Ooni Karu 12 -kaasupoltinosan Ooni-kaasupolttimen kokoamista, asentamista ja käyttöä tai huoltoa. Jos jotain nykyisen laillisen vastuuvapausilmoituksen ehtoa ei noudateta, siitä voi seurata omaisuusvahinko, vakava ruumiinvamma tai jopa kuolema tai tulipalon aiheuttama omaisuusvahinko.

1. Kun käytät Ooni Karu 12 -uunia Ooni Karu 12 -kaasupoltinosan Ooni-kaasupolttimen kanssa, pidä mielessä, että (1) liitettävää Ooni Karu 12 -kaasupoltinosan Ooni-kaasupoltinta voi käyttää ainoastaan Oonin kanssa, mikä poissulkee kaikki muut laitteet, ja että (2) kaikki Ooni Karu 12 -uunia koskevan turvallisuuden laillisen vastuuvapausilmoituksen ehdot koskevat myös liitettävän Ooni Karu 12 -kaasupoltinosan Ooni-kaasupolttimen käyttöä tämän turvallisuuden laillisen vastuuvapausilmoituksen lisäksi. Sinua pyydetään nimenomaisesti olemaan käyttämättä Ooni Karu 12 -uunia liitettävän Ooni Karu 12 -kaasupoltinosan Ooni-kaasupolttimen kanssa, ennen kuin Ooni Karu 12 -uunille on suoritettu asianmukainen ja perusteellinen kaasuvuototesti.
2. Palamisen sivutuotteet, joita syntyy, kun Ooni Karu 12 -uunia käytetään Ooni Karu 12 -kaasupoltinosan Ooni-kaasupolttimen kanssa, sisältävät hiiltä ja hiilimonoksidia Ooni Karu 12 -kaasupoltinosan Ooni-kaasupolttimen savukaasussa. Jos näitä aineita hengitetään sisätiloissa tai muussa ilmastoitamattomassa tilassa, seurauksena voi olla tukehtumisesta ja/tai hiilimonoksidimyrkyksestä aiheutuva kuolema.
3. Jos Ooni Karu 12 -uunin Ooni Karu 12 -kaasupoltin ei syty, käännä nupit POIS PÄÄLTÄ, odota 5 minuuttia ja yritä uudelleen. Sulje aina kaasuventtiili 5 minuutin odotusaikana. Jos Ooni Karu 12 -uunin Ooni-kaasupoltin ei syty venttiilin ollessa auki, kaasua virtaa edelleen ulos Ooni Karu 12 -uunin Ooni-kaasupoltimesta, ja seurauksena voi olla tahaton sytyminen ja loukkaantumisvaara.
4. Aina kun huomaat kaasuvuodon, LOPETA käyttö ja soita palokunnalle. Vuotava propaani saattaa aiheuttaa räjähdyksen, tulipalon, vakavan loukkaantumisen tai kuoleman. Jos haistat kaasua (1), katkaise laiteen kaasua, (2) sammuta avotuli ja (3) jos hajua ei katoa, pysy kaukana Ooni Karu 12 -uunista ja soita välittömästi kaasuntoimittajillesi tai palokunnalle. Jos et voi katkaista kaasuvuotoa, sulje välittömästi nestekaasuventtiili (propaani) ja soita nestekaasuntoimittajalle tai palokunnalle. Jos pullossa näkyy "suurenevia" kuplia, älä käytä tai siirrä nestekaasua (propaani). Ota yhteys nestekaasuntoimittajaasi tai palokuntaan.
5. Älä varastoi tai käytä bensiiniä tai muita palavia nesteitä tai höyryjä Ooni Karu 12 -uunin tai muun laitteen läheisyydessä. Älä laita mitään työkalua tai vierasta esinettä venttiiliaukkoon tai varoventtiiliin. Venttiili saattaa vahingoittua ja aiheuttaa vuodon. Älä koskaan liitä Ooni Karu 12 -uunin Ooni-kaasupoltinta matkailuvaunun tai matkailuauton itsenäiseen nestekaasujärjestelmään. Älä koskaan käytä Ooni Karu 12 -uunia nestekaasulla (propaani) muussa kuin asennusohjeissa määritellyssä asennossa. Sulje nestekaasuventtiili (propaani) ennen kuin siirrä nestekaasun (propaani) sille määritellyssä käyttöasennossa. SULJE säätimet ja kaasuläheide tai -säiliö, kun niitä ei käytetä.
6. Käytä Ooni Karu 12 -uunin Ooni-kaasupoltinta vain nestekaasulla (propaani tai butaani) ja mukana toimitetulla säädin-/venttiilikokoonpanolla. Älä yritä korjata tai muunnella letkua/venttiiliä/säädintä minkään "oletetun" vian vuoksi. Kaikki kokoonpanon muutokset aiheuttavat kaasuvuodon tai tulipalon riskin. Käytä vain Ooni Limitedin toimittamia ja hyväksymiä varaosia. ÄLÄ KOSKAAN varastoi varanestekaasua (propaani) lähelle Ooni Karu 12 -uunia tai sen alle tai suljettuun tilaan. Käyttämätöntä ja kytkemätöntä nestekaasua (propaani) ei saa varastoida Ooni Karu 12 -uunin tai muun laitteen lähelle.
7. Voit käyttää liitettävää Ooni Karu 12 -uunin Ooni-kaasupoltinosaa yhdessä Ooni Karu 12 -uunin kanssa vain etukäteen pullotetulla nestekaasulla (propaani).

Virheellisesti varastoitu nestekaasu (propaani) on vaarallinen mahdollisten varoventtiilistä pääsevien kaasuvuotojen vuoksi. Se voi aiheuttaa voimakkaan tulipalon sekä omaisuusvahinkoja, vakavan loukkaantumisen tai kuoleman. Jos näet, haistat tai kuulet kaasuvuodon, siirry välittömästi kauas nestekaasusta (propaani)/laitteesta ja soita palokunnalle.

OOONI LIMITED, OONI INC TAI OONI GMBH EI OLE VASTUUSSA, LAILLISESTI TAI MUULLA TAVOIN, MISTÄÄN OMAISUUTEEN TAI HENKILÖIHIN LIITTYVÄSTÄ TAHALLISESTA TAI TAHATTOMASTA VAHINGOSTA, JOKA AIHEUTUU SELLAISEN LIITETTÄVÄN OONI KARU 12 -LIITINOSAN OONI-KAASUPOLTTIMEN KÄYTÖSTÄ, JOKA EI OLE/OLLUT TÄMÄN LAILLISEN VASTUUVAPAUTUSILMOITUKSEN EHTOJEN MUKAINEN.

OOONI LIMITED, OONI INC TAI OONI GMBH EI OLE MISSÄÄN TAPAUKSESSA VASTUUSTA MISTÄÄN ERITYISISTÄ, EPÄSUORISTA, VÄLILLISISTÄ TAI MUISTA VAHINGOISTA, JOTKA YLIITTÄVÄT LIITETTÄVÄN OONI KARU 12 -LIITINOSAN OONI-KAASUPOLTTIMEN ALKUPERÄISEN OSTOHINNAN.

Joissakin osavaltioissa tai valtioissa ei sallita satunnaisten tai välillisten vahinkojen poissulkemista tai rajoittamista, joten tällaiset rajoitukset tai poissulkemiset eivät välttämättä koske sinua.

Turvallisuustiedot

- Lue ohjeet ennen laitteen käyttöä.
- Saa käyttää vain ulkona.
- Varoitus! Käsiteltävät osat voivat olla erittäin kuumia. Pidä lapset kaukana laitteesta.
- Varoitus! Varmista ennen käyttöä, että Ooni Karu 12:n jalat on levitetty täysin auki.
- Varoitus! Vältä sähköiskut olematta koskettamatta elektrodin kärkeä sytyttäessäsi poltinta.
- Varoitus! Älä säädiä katon tai savupiipun tuuletusaukkoa käytön aikana.
- Varoitus! Pysy etäällä savupiipusta tulevista kuumista pakokaasuista.
- Varoitus! Varmista, että uunin jalkojen ja pöytäpinnan reunan välillä on vähintään 90 mm:n (3,5 tuuman) etäisyys.
- Pidä lapset kaukana laitteesta.
- Älä siirrä laitetta käytön aikana.
- Katkaise kaasunsyöttö kaasupullosta käytön jälkeen.
- Älä tee muutoksia laitteeseen.
- Käyttäjää ei saa käsitellä valmistajan tai jälleenmyyjän tiivistämiä osia.
- Käytä aina suojakäsineitä, kun käsittelet kuumia osia.
- Laitteen saa varastoida sisätiloihin vain, jos pullo on kytketty irti ja poistettu laitteesta. Kun laitetta ei käytetä vähään aikaan, se on irrotettava uunista ja varastoitava alkuperäisessä pakkauksessaan kuivassa ja pölyttömässä paikassa.
- HUOMIO: Kaikki huolto- ja ylläpitotoimenpiteet on suoritettava vain, kun uuni on kylmä ja kaasupullon polttoaineensyöttö on KATKAISTU ja kytketty irti.
- TARKISTA ENNEN KÄYTTÖÄ LAITE JA LIITTIMET VUOTOJEN VARALTA: Älä koskaan tarkista vuotoja avotulella, käytä aina saippuavettä. Vuodon testaus: Tee vuototesti aina, kun kytket uuden kaasusäiliön tai kun laitetta ei ole käytetty pitkään aikaan. Varmista, että venttiili on oikeassa linjassa venturin kanssa. Varmista, että letkussa ei ole murtumia tai halkeamia. TÄRKEÄÄ: Jos et kykene sammuttamaan kaasuvuotoa, sulje kaasusäiliön venttiili ja soita paikalliselle kaasusäiliön jälleenmyyjälle tai palokunnalle.
- Laite on aina pidettävä kaukana syttyvistä materiaaleista käytön aikana.
- Kun vaihdat kaasusäiliön, varmista, että Ooni Karu 12 -uunin Ooni-kaasupolttimen nuppi on käännetty suljettuun asentoon. Kytke säädin irti kaasusäiliöstä ja poista säiliö. Varmista koko tämän prosessin aikana, että kaasusäiliö on vähintään 1 metrin etäisyydellä uunista syttymisriskin välttämiseksi.



Siirry sivuun sytyttäessäsi uunia uudelleen - älä koskaan katso suoraan uuniin tai liekkiin.



Mukana toimitettava kaasusäädin ei välttämättä sovellu käytettäväksi alueellasi. Katso lisätietoja paikallisista säännöksistä.

Vaihe 1

Asenna letku (mikäli tarpeen)

Säätimet ja letkuliittimet vaihtelevat alueen mukaan.

Jos Ooni Karu 12 -uunisi Ooni-kaasupolttimessa on kierteinen naaraspuolinen letkunjää, siirry vaiheeseen 1a.

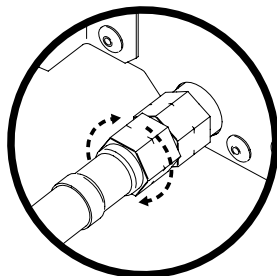
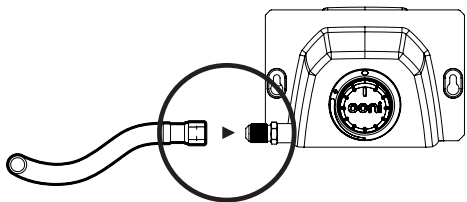
Jos Ooni Karu 12 -uunisi Ooni-kaasupolttimessa on kierteinen väkänä ja tavallinen letkuklipsillä varustettu letku, siirry ensin vaiheeseen 1b ja sitten vaiheeseen 1c.

Jos Ooni Karu 12 -uunin Ooni-kaasupolttimessasi on tavallinen letkuklipsillä varustettu letku, siirry vaiheeseen 1c.

Jos Ooni Karu 12 -kaasupolttimessasi on esiasennettu letku, jatka vaiheeseen 2.

Vaihe 1a

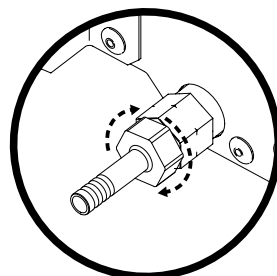
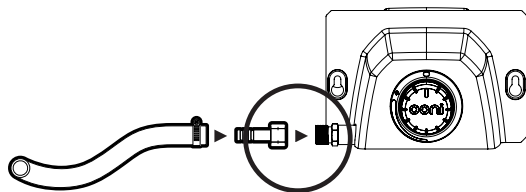
Kiristä asianmukaisilla kiintoavaimilla



! Kiristä vastapäivään Euroopan unionissa.

Vaihe 1b

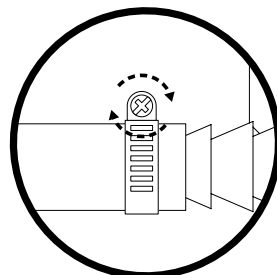
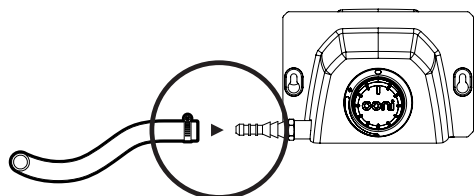
Kiristä asianmukaisilla kiintoavaimilla ja siirry vaiheeseen 1c.



! Kiristä vastapäivään Euroopan unionissa.

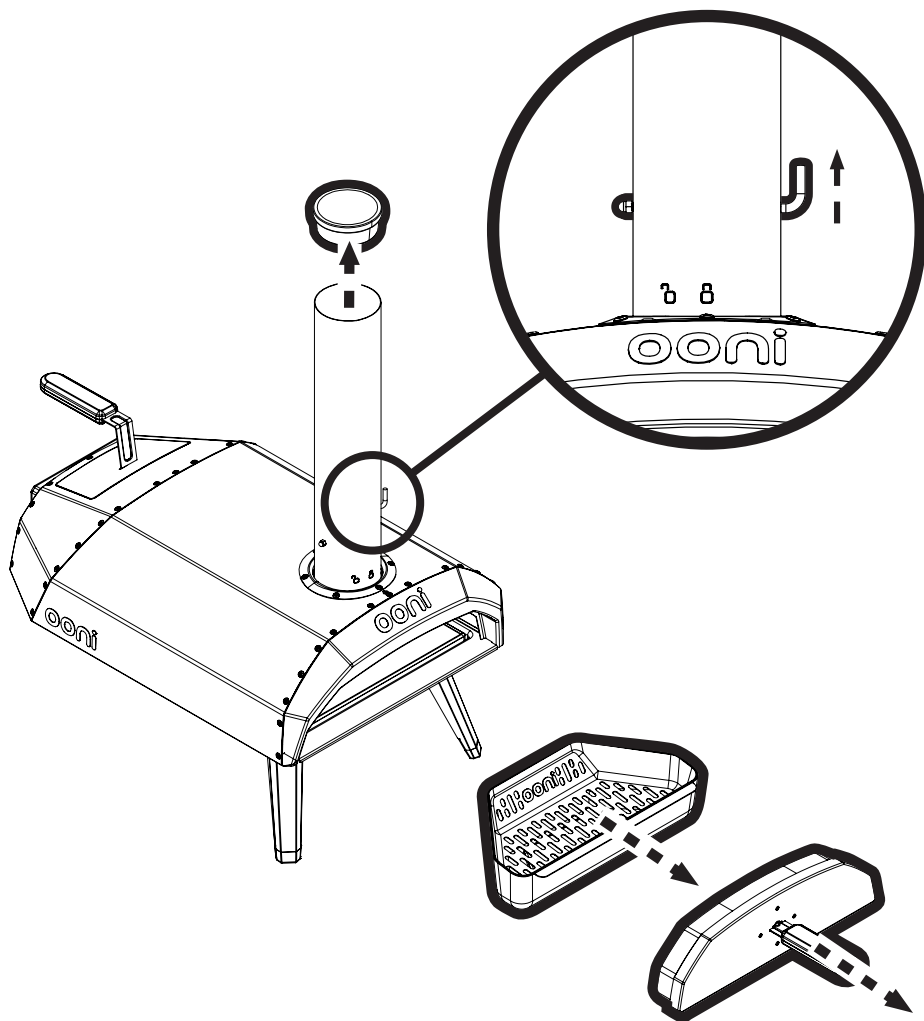
Vaihe 1c

Kiristä asianmukaisella ruuvimeisselillä.

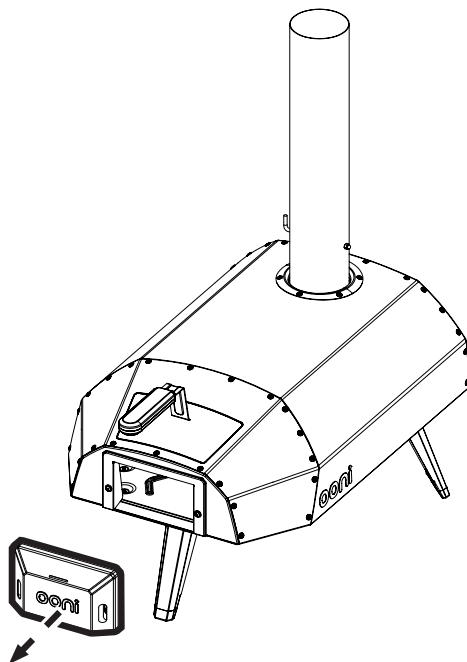
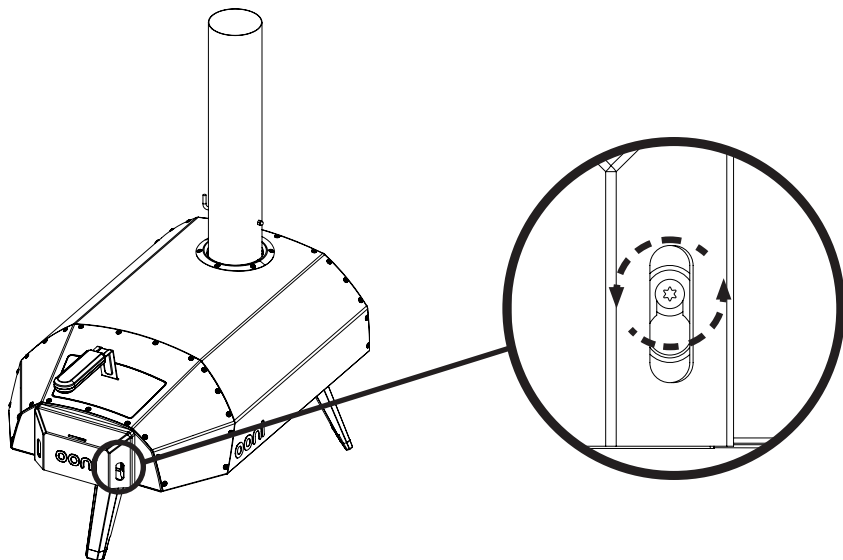


Vaihe 2

Poista ovi ja polttoaineastia ja varmista, että savupiipun tuuletusaukko on auki

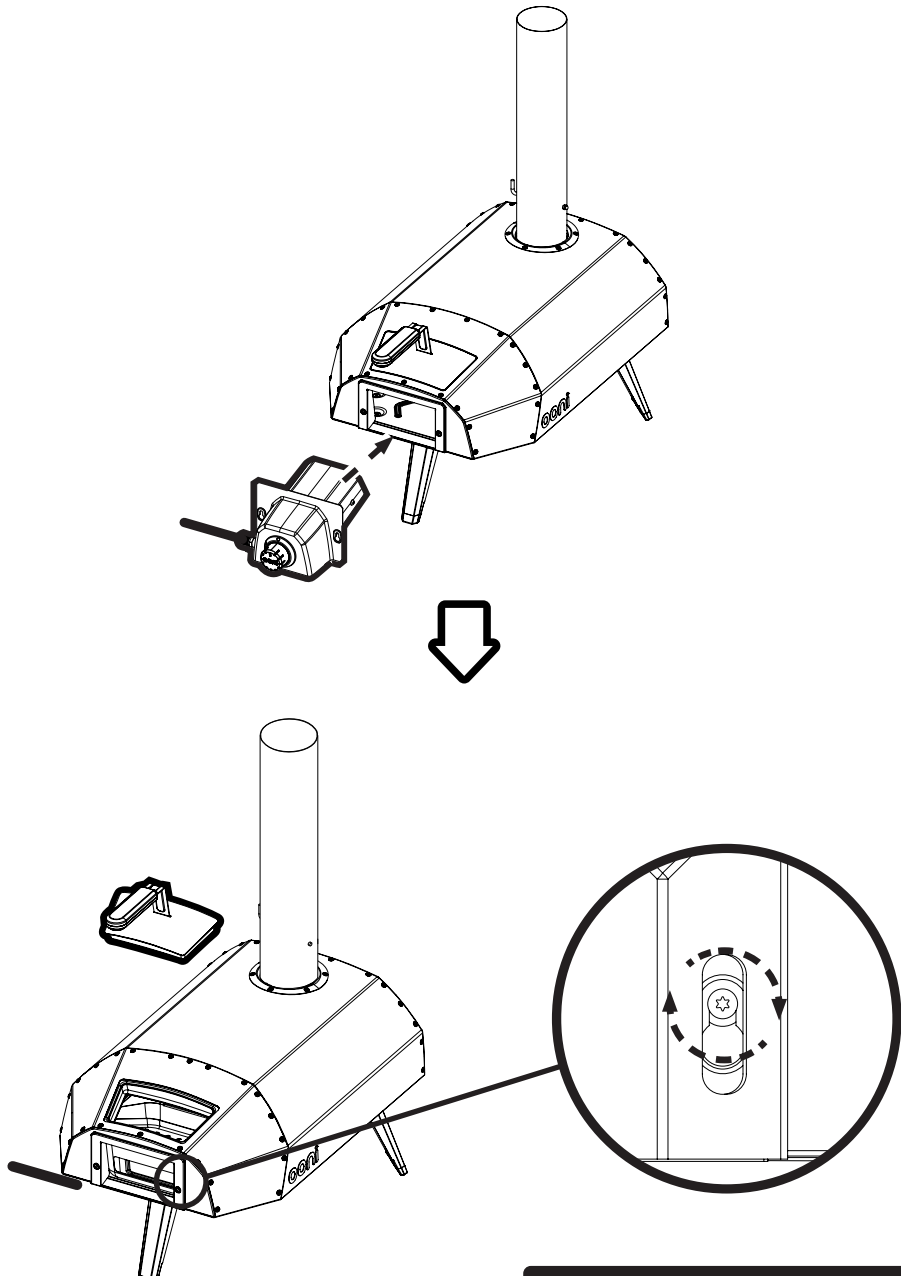


Vaihe 4
Poista vedonsäätölevy



Vaihe 4

Lisää Ooni-kaasupoltin Ooni Karu 12 -uuniin

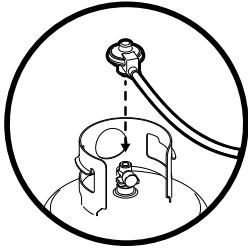


! Kiinnitä ruuvit mutta älä kiristä liikaa

Vaihe 5

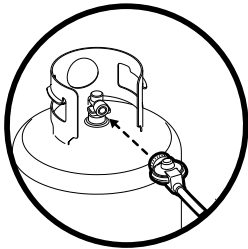
Liitä kaasusäiliöön

Säätimet vaihtelevat alueittain.



Terassi-kaasusäädin

Tämä on työnnettävä kaasukiinnike. Varmista, että musta kytkin on vaaka-asennossa. Paina mustan kytkimen alla olevaa painiketta ja paina säädintä säiliön venttiiliin, kunnes se kiinnittyy paikoilleen.

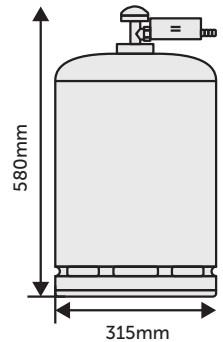


POL-kaasusäädin

Tämä on vastapäivään käännettävä kierteininen kaasukiinnike. Varmista, että säiliö on sammutettu ja ruuvaa säädin tiukasti kaasusäiliön venttiiliikiinnitykseen.

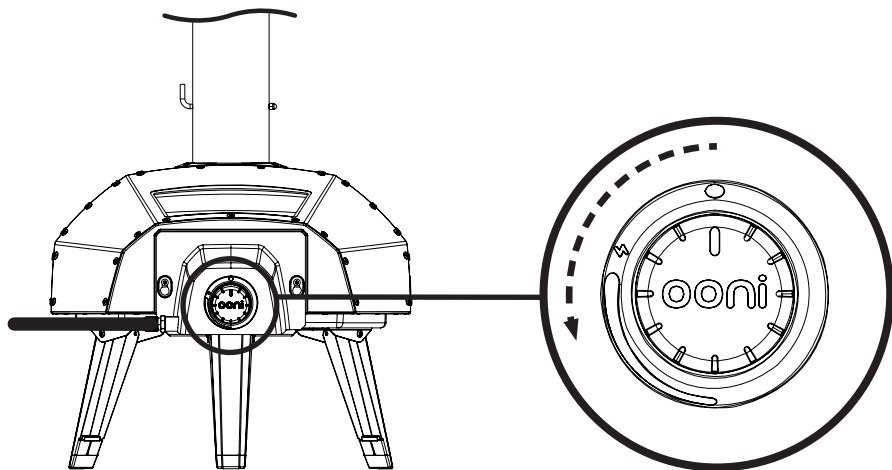
Kaasua koskevat turvallisuustiedot

- Laitte on asennettava vähintään 1 metrin etäisyydelle syttyvistä materiaaleista.
- Uuni on sijoitettava palamattomalle, vakaalle ja tasaiselle pinnalle.
- Varmista, että uuni sijoitetaan alueelle, joka ei ole altis epäsuotuisille sääolosuhteille.
- Laitteessa saa käyttää vain propaaninestekaasua. Pullon minimikapasiteetti on 4 kg ja maksimikapasiteetti 13 kg.
- Käytä sopivaa mukana toimitettavaa, EN 16129 -sertifioitua säädintä ja joustavaa, EN 16436 -sertifioitua letkua.
- Letku saa olla enintään 1,5 metrin pituinen. Vaihda kulunut tai vioittunut letku. Varmista, että letku ei ole tukkeutunut, taipunut tai kosketuksissa minkään muun uunin osan kuin letkun liittimen kanssa.
- Kaasunsyöttöletku on tarkistettava säännöllisesti ja vaihdettava, jos se on vioittunut ja vähintään kahden vuoden välein.
- Maiden paikallisissa vaatimuksissa ilmoitetaan, miten usein letku on vaihdettava. Tarkista maasi vaatimukset säännöllisesti.
- Jos venturi on tukkeutunut, sammuta poltinsytkä välittömästi, sammuta ja katkaise kaasunsyöttö ja odota, kunnes se on jäähtynyt, ja irrota se sitten uunista.
- Varmista ennen käyttöä, että laitteessa ei ole roskia. Pyyhi mahdolliset roskat pois harjalla laitteen viilennyttyä.

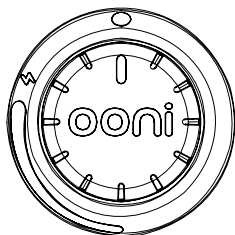


Vaihe 6 Sytytys

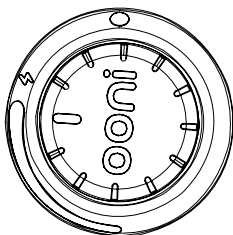
1. Kytke kaasusäiliön kaasu päälle.
2. Paina ja käännä painiketta vastapäivään, kunnes kuulet napsahduksen. Älä käännä liian nopeasti. Painalluksen ja napsahduksen tulisi kestää noin 3 sekuntia
3. Pidä painiketta painettuna 5 sekunnin ajan, ja vapauta sitten painike.



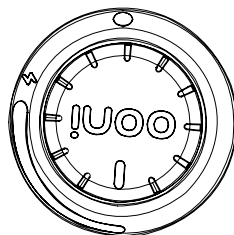
Pois päältä



Maksimiteho



Minimiteho

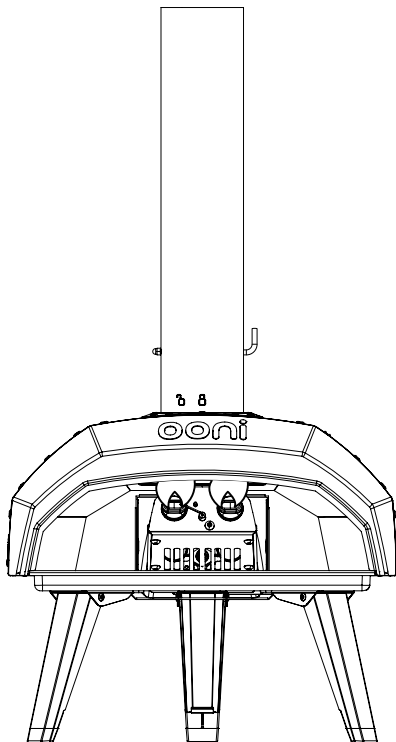


Pysy uunin sivussa sytyttäessäsi sitä - varmista, että kukaan ei ole 1 metrin (3 jalan) sisäpuolella uunin etuosasta. Pysy käsivarren mitan päässä uunista sytyttäessäsi sitä, äläkä kumarru uunin päälle sytytyksen aikana.

Vaihe 7

Tarkista, että kaasupoltin on päällä

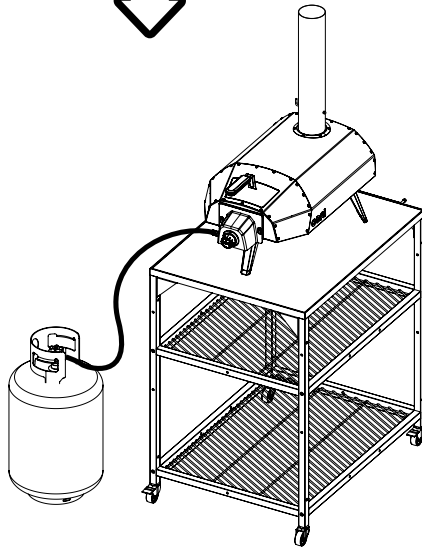
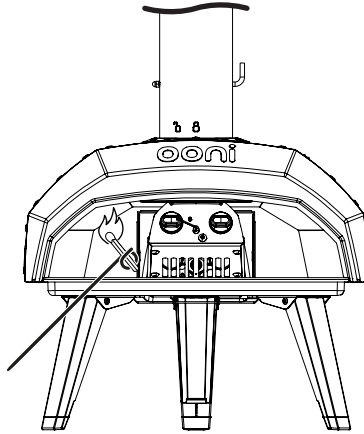
1. Jos se ei ole päällä, sammuta kaasu ja siirry takaisin vaiheeseen 6.
2. Jos poltin ei edelleenkaan syty, siirry vaiheeseen 8.



Vaihe 8

Sytytys – käyttämällä tulitikkua

Jos poltin ei vielääkään syty, kytke kaasu päälle ja sytytä tulitikulla ja mukana toimitettavalla tulitikkupidikkeellä uunin etuosasta. Pidä sitä poltinten edessä. Paina ja käännä nuppia vaiheessa 6 kerrotulla tavalla.



! Vedä kaasuletku aina poispäin uunista. Letku ei saa koskea uunin runkoon

! Jos liekit sammuvat, sammuta kaasu ja odota 5 minuuttia ennen uudelleensytytystä

Vianmääritys

Ongelma	Mahdollinen syy	Ennaltaehkäisy/Ratkaisu
Uuni ei kuumene tarpeeksi	<ol style="list-style-type: none"> 1. Kaasupullo on tyhjä 2. Letkussa on murtumia tai se vuotaa 3. Säädin on kiinnitetty väärin 4. Käyttö äärimmäisissä olosuhteissa 	<ol style="list-style-type: none"> 1. Tarkista, että kaasupullo on täynnä, jopa vähän kaasua sisältävä pullo voi vaikuttaa kaasupolttimen tehokkuuteen 2. Varmista, että letkussa ei ole murtumia tai vuotoja 3. Varmista, että säädin on kiinnitetty kunnolla kaasupulloon ja että letku on tiukasti kiinni kaasupolttimessa ja kiristetty sopivan kokoisilla kiintoavaimilla käyttöoppaan ohjeiden mukaisesti 4. Kaasupoltinta ja uunია ei saa käyttää äärimmäisissä olosuhteissa (esim. kovassa tuulessa)
Kaasupoltin ei syty	<ol style="list-style-type: none"> 1. Virheellinen asennus 2. Kaasupullo on tyhjä 3. Letkussa on murtumia tai se vuotaa 4. Virheellinen sytytystekniikka. 5. Säädin on kiinnitetty väärin 6. Sytyttimen virheellinen kohdistus 	<ol style="list-style-type: none"> 1. Varmista, että savupiipun kansi on poistettu ja katon ja savupiipun tuuletusaukot ovat auki. Oven tulee olla auki. 2. Tarkista, että kaasupullo on täynnä, jopa vähän kaasua sisältävä pullo voi vaikuttaa kaasupolttimen tehokkuuteen 3. Varmista, että letkussa ei ole murtumia tai vuotoja 4. Jos nuppia käännetään liian nopeasti, kaasupoltin ei välttämättä syty. 5. Varmista, että säädin on kiinnitetty kunnolla kaasupulloon ja että letku on tiukasti kiinni kaasupolttimessa ja kiristetty sopivan kokoisilla kiintoavaimilla käyttöoppaan ohjeiden mukaisesti 6. Aseta sytyttimen kärki 2–3 mm:n päähän polttimen kannen etuosasta.
Liekki on liian keltainen/sininen	Ympäristön vaihtelut, valmistamasi ruoka, ympäristön lämpötila ja Ooni-uunisi tila saattavat vaikuttaa liekin väriin	Liekin väri ei vaikuta ruoan makuun tai laatuun.
FSD ei toimi kunnolla	FSD-anturiin on ehkä kerääntynyt nokea	Varmista, että kaasupoltin ja kaasunsyöttö on sammutettu ja anna polttimen jäähtyä. Puhdista anturi ja polttimen aukot varovasti kostealla liinalla ja anna polttimen kuivua täysin ennen uudelleen-sytytystä.
Oonin kaasupolttimen liekki sammuu	<ol style="list-style-type: none"> 1. Hapen puute 2. Uuni on sijoitettu epätasaiselle pinnalle 	<ol style="list-style-type: none"> 1. Avaa Ooni Pron savupiipun tuuletusaukko parantaaksesi uunin läpi kulkevaa ilmavirtaa 2. Jos Ooni asennetaan vinoon, happi ei virtaa kunnolla. Yritä asentaa uuni tasaiselle pinnalle.
Kaasupoltimesta kuuluu pauhaavaa ääntä, ja liekit ovat hyvin heikkoja	Liekki palaa ventureissa	Sammuta kaasunsyöttö ja kaasupoltin välittömästi, odota 5 minuuttia ja sytytä kaasupoltin uudelleen.

Tuotteen tekniset tiedot

Mallin numero

Ooni Karu 12 -kaasupoltin

Tuotetarra

ooni	
Ooni Limited, 189 West Main Street, Broxburn, Scotland, EH52 5LH	I3B/P(30)
	Butane, Propane or their mixture
	28 - 30 mbar
Ooni Karu 12 Gas Burner	5.3 kW, 386g/h
DK, FI, IT, NL, NO, SE, LU, MT	0.81 mm * 2
DE: Butan, Propan oder eine Mischung davon DK: Butan, propan eller en blanding af disse ES: Butano, propano o sus mezclas FI: Butaani, propaani tai niiden seos IT: Butano, propano o una miscela dei due NL: Butaan, propaan of hun mengsel NO: Butan, propan eller deres blandinger SE: Butan, propan eller en blandning av de två	SN

Suuttimet

Suuttimen merkintä: **0,81 mm**

Merkintä: **0,81**

Clausole di esonero di responsabilità riguardanti la sicurezza – Da leggere in tutte le sue parti prima dell'uso.

Prima di assemblare, installare e utilizzare/sottoporre a manutenzione il tuo bruciatore a gas Ooni per Ooni Karu 12 da installare con il forno Ooni Karu 12, leggi la presente esclusione di responsabilità in tutte le sue parti. L'inosservanza di tutte le disposizioni della presente esclusione di responsabilità potrebbe determinare danni materiali, gravi lesioni personali o persino la morte, oppure incendi in grado di provocare danni materiali.

1. Quando usi il forno Ooni Karu 12 insieme al bruciatore a gas per Ooni Karu 12, ricorda che (1) il bruciatore a gas per Ooni Karu 12 può essere utilizzato esclusivamente con il tuo Ooni, escludendo quindi qualsiasi altro dispositivo, e (2) la totalità delle disposizioni previste nell'esclusione di responsabilità sulla sicurezza del forno Ooni Karu 12 è valida anche per l'uso del bruciatore a gas per Ooni Karu 12, e si va ad aggiungere alle disposizioni della presente esclusione di responsabilità sulla sicurezza. Si sconsiglia vivamente di utilizzare il forno Ooni Karu 12 insieme al bruciatore a gas per Ooni Karu 12 fino a quando il bruciatore a gas per Ooni Karu 12 non è stato sottoposto ad adeguata e accurata verifica per eventuali perdite di gas.
2. I prodotti derivati dalla combustione, generati dall'uso del forno Ooni Karu 12 con il bruciatore a gas per Ooni Karu 12, contengono carbonio e monossido di carbonio nei gas di scarico del bruciatore a gas per Ooni Karu 12; è noto che queste sostanze, se inalate in spazi chiusi o in altre aree non ventilate, possono provocare morte per asfissia e/o intossicazione da monossido di carbonio.
3. Se il bruciatore a gas per Ooni Karu 12 non si accende, gira le manopole su OFF, attendi 5 minuti e riprova. Chiudi sempre la valvola del gas durante il periodo di attesa di 5 minuti. Se il bruciatore a gas per Ooni Karu 12 non si accende ma la valvola è aperta, il gas continua a fuoriuscire dal bruciatore a gas per Ooni Karu 12 e può accidentalmente innescarsi, con il rischio di lesioni.
4. Qualora, in qualsiasi momento, riscontrassi una perdita di gas, **INTERROMPI** l'uso e chiama i vigili del fuoco. Le perdite di propano possono provocare esplosioni, incendi, gravi lesioni personali o la morte. Se senti odore di gas (1) chiudi l'alimentazione del gas al dispositivo, (2) spegni qualsiasi fiamma libera, e (3) se l'odore persiste, allontanati dal forno Ooni Karu 12 e chiama immediatamente il tuo fornitore di gas o i vigili del fuoco. Se non sei in grado di arrestare la perdita di gas, chiudi immediatamente la valvola del GPL (propano) e chiama il tuo fornitore di GPL o i vigili del fuoco. Se dalla bombola fuoriescono delle bolle, interrompi l'uso o sposta altrove il GPL (propano). Contatta il fornitore di GPL o i vigili del fuoco.
5. Non riporre né usare benzina o altri vapori o liquidi infiammabili nelle vicinanze del tuo forno Ooni Karu 12 o di qualsiasi altro dispositivo. Non inserire alcuno strumento od oggetto estraneo nello sfianto della valvola o nella valvola di sicurezza. La valvola potrebbe subire danni e provocare perdite. Non tentare mai di attaccare il bruciatore a gas per Ooni Karu 12 al sistema autonomo a GPL di un camper o di una roulotte. Non azionare mai il forno Ooni Karu 12 con GPL (propano) in posizioni diverse da quella specificata nelle istruzioni di montaggio. Chiudi sempre la valvola del GPL (propano) prima di spostare il GPL (propano) dalla posizione di funzionamento specificata. Ruota i comandi e l'alimentazione o il serbatoio di gas su OFF quando non sono in uso.
6. Usa il bruciatore a gas per Ooni Karu 12, così come lo hai acquistato, solo con GPL (propano) e con il gruppo regolatore/valvola fornito. Non tentare di riparare o alterare il tubo flessibile/la valvola/il regolatore se "sospetti" che siano difettosi. Qualsiasi modifica a questo gruppo costituirà un rischio di perdite di gas e incendi. Utilizza esclusivamente le parti di ricambio autorizzate fornite da Ooni Limited. **NON** riporre **MAI** una bombola di riserva di GPL (propano) sotto o vicino al forno Ooni Karu 12 o in uno spazio chiuso. Qualsiasi bombola di GPL (propano) non collegata per l'uso non deve mai essere riposta nelle vicinanze del forno Ooni Karu 12 o di qualsiasi altro dispositivo.
7. Il bruciatore a gas Ooni Karu 12 deve essere utilizzato unitamente al forno Ooni Karu 12, solo con GPL (propano) in bombole preconfezionate.

Una bombola di GPL (propano) conservata impropriamente costituisce un pericolo, a causa delle potenziali fughe di gas dalla valvola di sicurezza. Queste potrebbero provocare un forte incendio con rischio di danni materiali, gravi lesioni o morte. Se vedi, senti l'odore o il rumore di una fuoriuscita di gas, allontanati immediatamente dal GPL (propano)/dispositivo e chiama i vigili del fuoco.

OONI LIMITED, OONI INC O OONI GMBH NON SI ASSUMONO ALCUNA RESPONSABILITÀ, LEGALE O DI ALTRO TIPO, PER DANNI INCIDENTALI O CONSEGUENZIALI A BENI MATERIALI O PERSONE RISULTANTI DA UN USO DEL BRUCIATORE A GAS PER OONI KARU 12 NON CONFORME ALLE DISPOSIZIONI CONTENUTE NELLA PRESENTE ESCLUSIONE DI RESPONSABILITÀ.

OONI LIMITED, OONI INC O OONI GMBH NON SI ASSUMERANNO IN ALCUN CASO LA RESPONSABILITÀ PER DANNI PARTICOLARI, INDIRETTI, CONSEGUENZIALI NÉ PER DANNI DI QUALSIASI ALTRA NATURA PER IMPORTI SUPERIORI AL PREZZO DI ACQUISTO ORIGINALE DEL BRUCIATORE A GAS OONI KARU 12.

Alcuni Paesi o Stati non consentono l'esclusione o la limitazione dei danni incidentali o consequenziali, pertanto queste limitazioni o esclusioni potrebbero non essere applicabili nel tuo caso.

Informazioni sulla sicurezza

- Prima di utilizzare il dispositivo, leggi le istruzioni.
- Destinato all'uso solo in ambienti esterni.
- Attenzione! Le parti accessibili possono essere molto calde. Tieni i bambini a distanza di sicurezza.
- Attenzione! Assicurarsi che i piedini di Ooni Karu 12 siano completamente aperti prima dell'uso
- Attenzione! Per evitare scosse elettriche, non toccare la punta dell'elettrodo durante l'accensione del bruciatore.
- Attenzione! Non regolare lo sfiato sul cielo e della canna fumaria durante l'uso.
- Attenzione! Tenersi a distanza dai fumi caldi dei gas di scarico provenienti dalla canna fumaria
- Attenzione! Garantire una distanza di almeno 3.5"/90 mm tra i bordi di tutti i piedini del forno e il bordo della superficie del tavolo.
- Tieni i bambini a distanza di sicurezza.
- Non spostare il dispositivo durante l'uso.
- Chiudi il gas sulla bombola dopo l'uso.
- Non alterare il dispositivo.
- Le parti sigillate dal produttore o dall'agente non devono essere manipolate dall'utente.
- Utilizza sempre guanti protettivi durante il contatto con componenti caldi.
- Il dispositivo può essere riposto in ambienti chiusi solo se la bombola è stata scollegata e rimossa da questo. Se il dispositivo non viene utilizzato per un certo periodo di tempo, deve essere rimosso dal forno e riposto nella sua confezione originale in uno spazio asciutto e privo di polvere.
- ATTENZIONE: tutte le operazioni di pulizia e manutenzione devono essere eseguite quando il forno è freddo e l'alimentazione di combustibile è disattivata e scollegata sulla bombola di gas.
- PRIMA DELL'USO VERIFICA LA PRESENZA DI PERDITE SUL DISPOSITIVO E SUI RACCORDI: non cercare eventuali perdite con una fiamma libera; usa esclusivamente una soluzione di sapone e acqua. Controllo delle perdite: il controllo delle perdite deve essere effettuato ogni volta che si collega una nuova bombola di gas o dopo lunghi periodi di inutilizzo del dispositivo. Accertati che la valvola sia correttamente allineata con il venturi. Assicurati che il tubo flessibile non presenti screpolature o fessurazioni. IMPORTANTE: se non riesci a fermare una perdita di gas, chiudi la valvola sulla bombola del gas e chiama il tuo rivenditore locale di bombole o i vigili del fuoco.
- Durante l'uso il dispositivo deve essere tenuto lontano da qualsiasi materiale infiammabile.
- Quando cambi la bombola del gas, accertati che la manopola del bruciatore a gas per Ooni Karu 12 sia in posizione 'off', scollega il regolatore dalla bombola del gas e rimuovila. Per tutta la durata della procedura, assicurati che la bombola rimanga almeno a 1 metro di distanza dal forno per evitare rischi di innesco.



Mettiti da un lato durante la riaccensione; non guardare mai direttamente verso il forno o la fiamma.



Il regolatore di gas fornito potrebbe non essere adeguato all'uso nel tuo territorio o nella tua regione. Per maggiori informazioni, consulta le normative in vigore a livello locale.

Punto 1

Installa il tubo flessibile (se necessario)

Regolatori e raccordi dei tubi variano in base alla regione.

Se il tuo bruciatore a gas per Ooni Karu 12 ha un tubo con estremità filettata femmina, segui il Punto 1a.

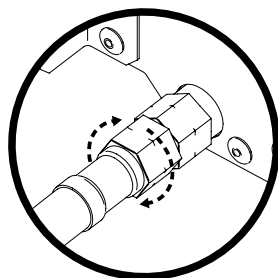
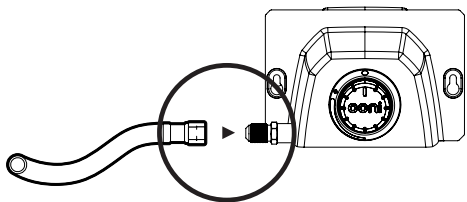
Se il tuo bruciatore a gas per Ooni Karu 12 ha un raccordo a barba filettato e un tubo standard con fascetta stringitubo, segui il Punto 1b quindi il Punto 1c.

Se il tuo bruciatore a gas per Ooni Karu 12 ha un tubo standard con fascetta stringitubo, segui il Punto 1c.

Se il tuo Bruciatore a gas per Ooni Karu 12 ha il tubo preinstallato, prosegui al Punto 2.

Punto 1a

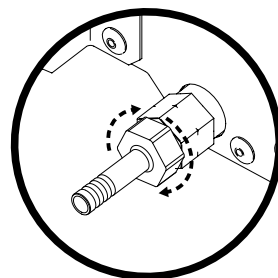
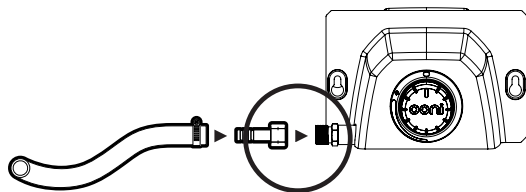
Serra con delle chiavi adeguate



! Se ti trovi in UE, serra in senso antiorario.

Punto 1b

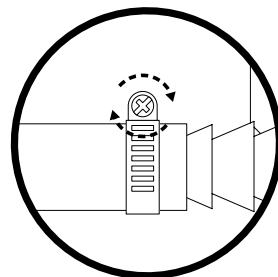
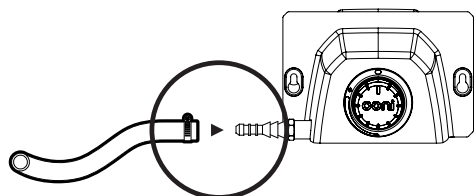
Serra con delle chiavi adeguate, quindi segui il Punto 1c.



! Se ti trovi in UE, serra in senso antiorario.

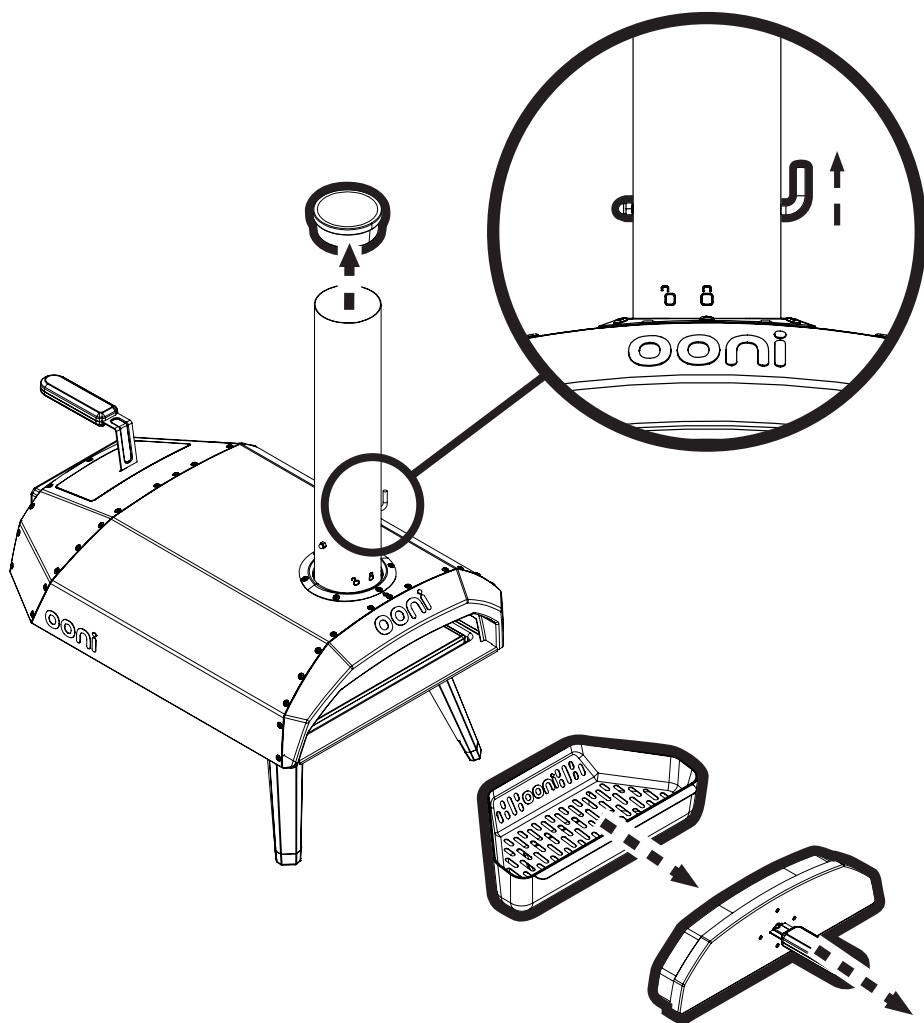
Punto 1c

Serra con un cacciavite adeguato.

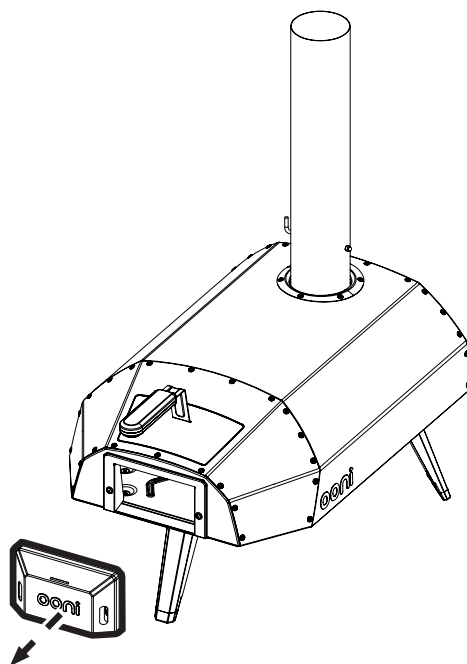
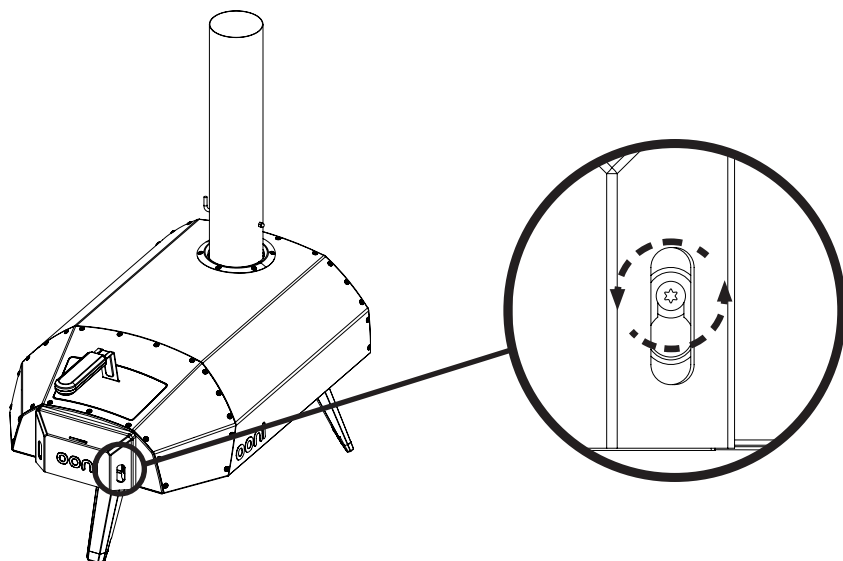


Punto 2

Rimuovi lo sportello e il vassoio del combustibile, e accertati che lo sfiato della canna fumaria sia aperto

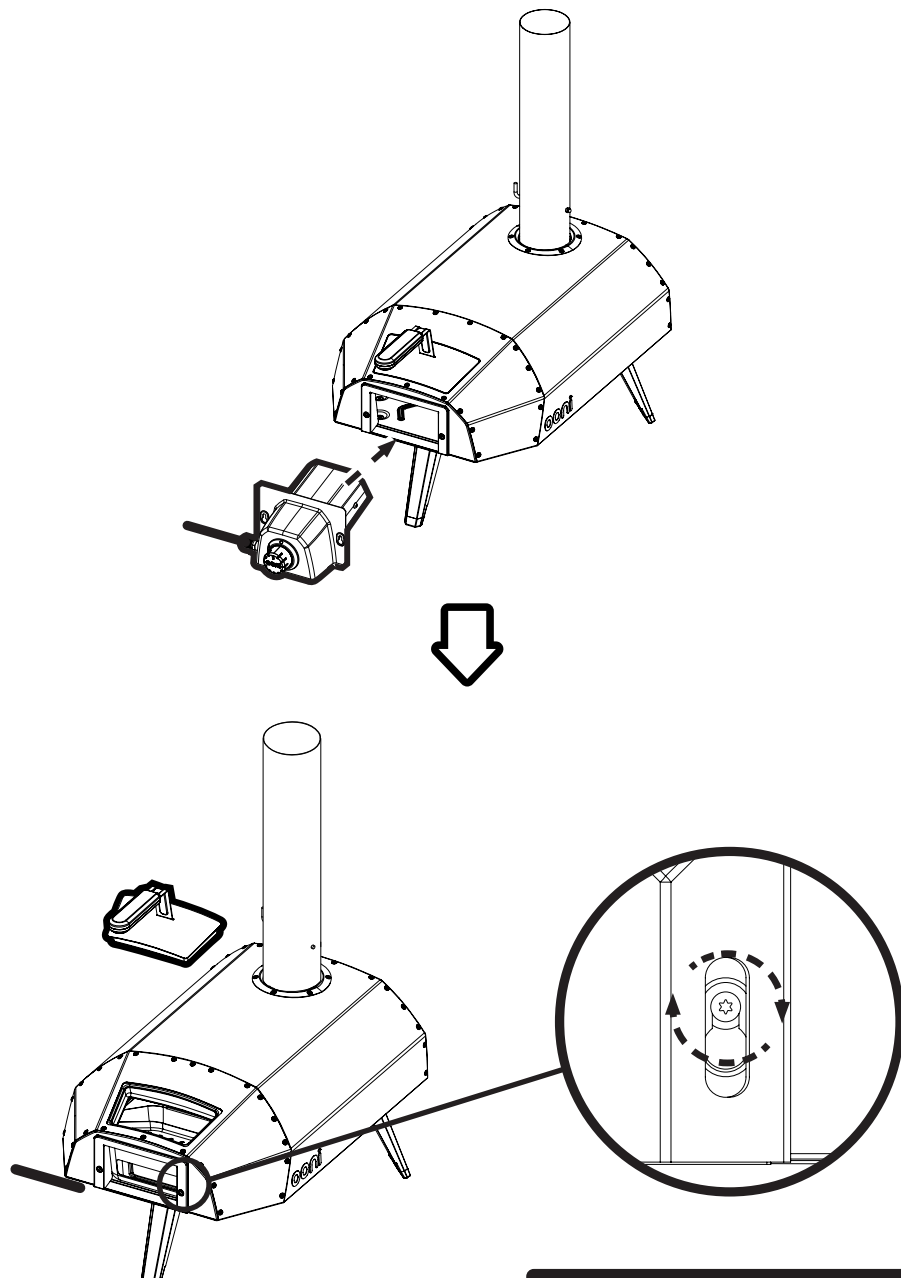


Punto 3
Rimuovi il coperchio antivento



Punto 4

Aggiungi il bruciatore a gas per Ooni Karu 12

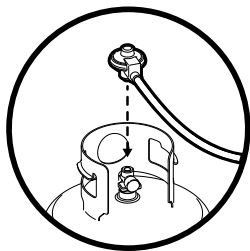


! Fissa con le viti senza serrarle eccessivamente

Punto 5

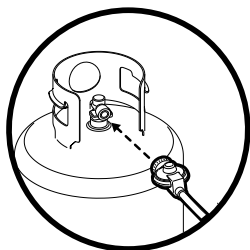
Effettua il collegamento alla bombola del gas

I regolatori variano in base alla regione.



Regolatore di gas Patio

È dotato di raccordo per gas a riscaldamento. Accertati che l'interruttore nero sia in posizione orizzontale. Rilascia il pulsante che si trova sotto l'interruttore nero e premi il regolatore sulla valvola della bombola fino a quando non si fissa in posizione.

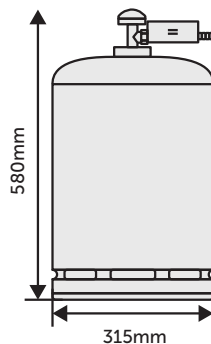


Regolatore di gas POL

Si tratta di un raccordo per gas filettato in senso antiorario. Assicurati che la bombola sia completamente chiusa e avvita il regolatore sul raccordo della valvola della bombola di gas fino a quando risulta serrato.

Informazioni di sicurezza per il gas

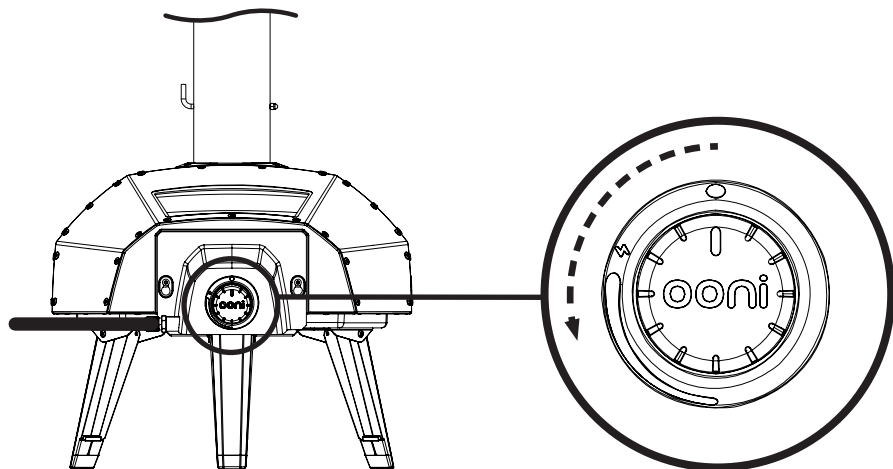
- Il dispositivo deve essere installato ad almeno 1 metro di distanza da qualsiasi materiale infiammabile.
- Il dispositivo deve essere posizionato su una superficie non infiammabile, stabile e piana.
- Accertati che il forno sia posizionato in un luogo dove non sia soggetto a condizioni climatiche avverse.
- Il dispositivo deve essere utilizzato solo con GPL (propano). La capacità minima della bombola è 4 kg, la capacità massima della bombola è 13 kg.
- Utilizza un regolatore adeguato, certificato EN 16129, e un tubo flessibile certificato EN 16436.
- La lunghezza del tubo non deve superare 1,5 metri. In caso di usura o danni, il tubo deve essere sostituito. Accertati che il tubo non sia ostruito, attorcigliato o a contatto con qualsiasi parte del forno che non sia il raccordo.
- Il tubo di alimentazione del gas deve essere controllato a intervalli regolari e deve essere sostituito in presenza di danni, e almeno ogni due anni.
- Per conoscere la frequenza di sostituzione del tubo flessibile, consulta i requisiti nazionali in vigore nel tuo Paese. Controlla regolarmente i requisiti in vigore nel tuo Paese.
- Se il venturi è bloccato, spegni immediatamente l'unità bruciatore, spegni e chiudi l'alimentazione del gas, e attendi che si raffreddi per rimuoverlo dal forno.
- Accertati che il dispositivo sia privo di detriti prima di ogni utilizzo. In presenza di accumuli di detriti, usa una spazzola per rimuoverli quando il dispositivo è freddo.



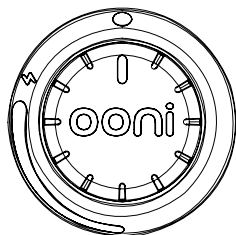
Punto 6

Accensione

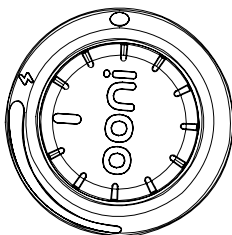
1. Accendi il gas dalla bombola.
2. Premi e ruota il pulsante in senso antiorario fino a quando produce un clic. Non ruotare troppo velocemente. Da quando premi al clic dovrebbero passare circa 3 secondi
3. Tieni premuto il pulsante per 5 secondi, quindi rilascialo.



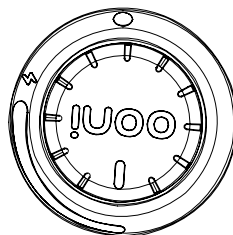
Spento



Potenza massima



Potenza minima

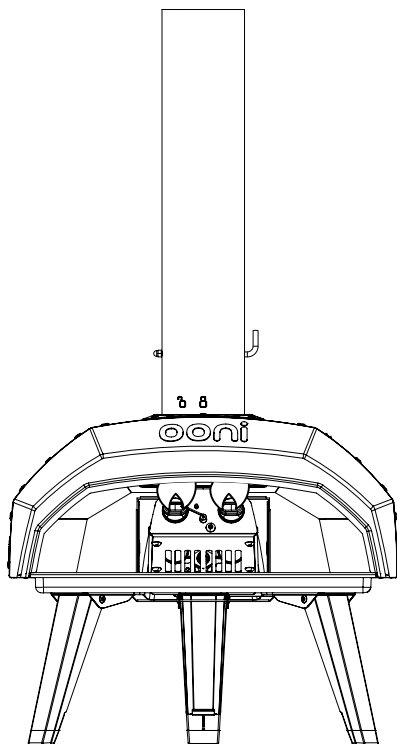


Stai lontano dal forno durante l'accensione, assicurati che nessuno sia a meno di 1 metro (3 piedi) di distanza dalla parte anteriore del forno. Mantieni la distanza di sicurezza quando accendi il forno e non sporgerti sul forno durante l'accensione.

Punto 7

Verifica che il bruciatore a gas sia acceso

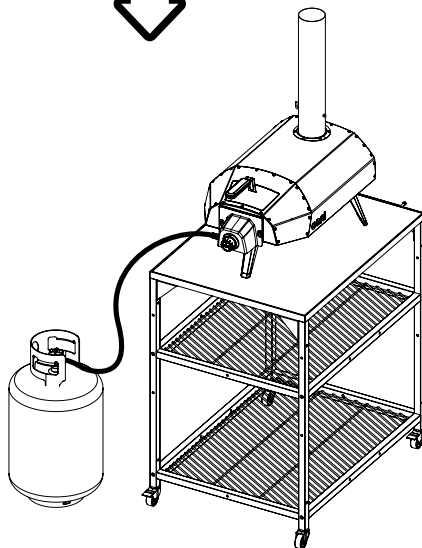
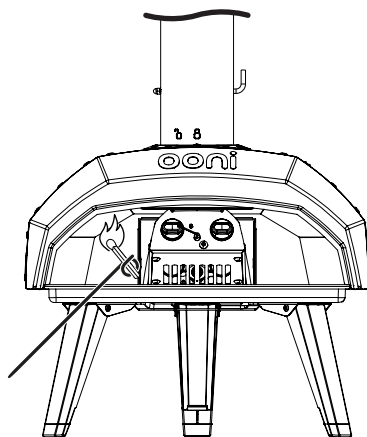
1. In caso contrario, chiudi il gas e torna al Punto 6.
2. Se il bruciatore ancora non si accende, passa al Punto 8.



Punto 8

Accensione con un fiammifero

Se il bruciatore ancora non sia accende, accendi il gas e la fiamma con un fiammifero, utilizzando il portafiammifero fornito, facendolo passare dalla parte anteriore del forno. Tienilo davanti ai bruciatori. Premi e ruota la manopola come descritto al Punto 6.



! Indirizza sempre il tubo del gas lontano dal forno. Il tubo non deve toccare il corpo del forno

! Se le fiamme si spegnono, chiudi il gas e attendi 5 minuti prima di riaccendere

Risoluzione dei problemi

Problema	Possibile causa	Prevenzione/soluzione
Il mio forno non scalda abbastanza	<ol style="list-style-type: none"> 1. Bombola del gas vuota 2. Fessurazioni o perdite nel tubo 3. Regolatore fissato in modo non corretto 4. Funzionamento in condizioni estreme 	<ol style="list-style-type: none"> 1. Controlla che la bombola del gas sia piena; anche in presenza di un'esigua quantità di gas le prestazioni del bruciatore a gas potrebbero risentirne 2. Accertati che il tubo non presenti fessurazioni o perdite 3. Assicurati che il regolatore sia correttamente fissato sulla bombola del gas e il tubo sia saldamente collegato al bruciatore a gas, serrato con chiavi delle dimensioni corrette, come specificato nel manuale di istruzioni. 4. Il bruciatore a gas e il forno non devono essere utilizzati in condizioni climatiche estreme (ad es. vento forte)
Il bruciatore a gas non si accende	<ol style="list-style-type: none"> 1. Configurazione errata 2. Bombola del gas vuota 3. Fessurazione o perdita dal tubo 4. Tecnica di accensione errata. 5. Regolatore fissato in modo non corretto 6. Allineamento dell'accenditore non corretto 	<ol style="list-style-type: none"> 1. Controlla che il cappello della canna fumaria sia stato rimosso e che gli sfati del cielo e della canna fumaria siano aperti. Lo sportello deve essere aperto. 2. Controlla che la bombola del gas sia piena; anche in presenza di un'esigua quantità di gas le prestazioni del bruciatore a gas potrebbero risentirne 3. Accertati che il tubo non presenti fessurazioni o perdite 4. Ruotando la manopola troppo velocemente si rischia di impedire l'accensione del bruciatore a gas. 5. Assicurati che il regolatore sia correttamente fissato sulla bombola del gas e il tubo sia saldamente collegato al bruciatore a gas, serrato con chiavi delle dimensioni corrette, come specificato nel manuale di istruzioni 6. Riposiziona la punta dell'accenditore in modo che sia a 2-3 mm di distanza dalla parte anteriore del tappo del bruciatore.
La fiamma è troppo gialla/troppo blu	Variazioni ambientali, negli alimenti cucinati, nella temperatura ambiente e nelle condizioni del forno Ooni potrebbero influenzare il colore della fiamma	Il colore della fiamma non incide sul sapore o sulla qualità degli alimenti.
Il dispositivo di controllo della fiamma non funziona correttamente	Potrebbe esservi un accumulo di fuliggine sulla sonda del dispositivo di controllo della fiamma	Accertati che il bruciatore a gas e l'alimentazione a gas siano spenti, attendi che il bruciatore si sia raffreddato, pulisci delicatamente la sonda e i fori del bruciatore con un panno umido, lascia che il bruciatore si asciughi completamente prima di riaccenderlo.
Il bruciatore a gas per Ooni non mantiene la fiamma	<ol style="list-style-type: none"> 1. Carezza di ossigeno 2. Forno posizionato su una superficie irregolare 	<ol style="list-style-type: none"> 1. Apri lo sfiato della canna fumaria del tuo Ooni Pro per agevolare il flusso d'aria attraverso il forno 2. Se il tuo Ooni è montato in posizione inclinata, l'ossigeno non riesce a circolare correttamente. Cerca di posizionarlo su una superficie piana.
Sento una specie di "ruggito" che proviene dal bruciatore a gas e le fiamme sono molto deboli	La fiamma sta bruciando dentro al venturi	Spegni immediatamente l'alimentazione a gas e il bruciatore, attendi 5 minuti e riaccendi il bruciatore a gas.

Informazioni tecniche sul prodotto

Numero modello

Bruciatore a gas Ooni Karu 12

Etichetta del prodotto

ooni	
Ooni Limited, 189 West Main Street, Broxburn, Scotland, EH52 5LH	13B/P(30)
	Butane, Propane or their mixture
	28 - 30 mbar
Ooni Karu 12 Gas Burner	5.3 kW, 386g/h
DK, FI, IT, NL, NO, SE, LU, MT	0.81 mm * 2
DE: Butan, Propan oder eine Mischung davon DK: Butan, propan eller en blanding af disse ES: Butano, propano o sus mezclas FI: Butaani, propani tai niiden seos IT: Butano, propano o una miscela dei due NL: Butaan, propan of hun mengsel NO: Butan, propan eller deres blandinger SE: Butan, propan eller en blandning av de två	SN

Iniettori

Marcatura iniettori: **0,81 mm**

Marcatura: **0,81**

Juridische veiligheidsdisclaimer: dient voor ingebruikname volledig te worden gelezen.

Lees de huidige juridische disclaimer volledig door voordat u uw Ooni Karu 12-gasbranderbevestigingsdeel in combinatie met uw Ooni Karu 12-oven monteert, installeert en gebruikt/onderhoudt. Het zich niet houden aan de bepalingen van de juridische disclaimer kan leiden tot materiële schade, ernstig lichamelijk letsel of zelfs de dood, dan wel tot brand die materiële schade veroorzaakt.

1. Wanneer u de Ooni Karu 12-oven samen met uw Ooni Karu 12-gasbranderbevestigingsdeel gebruikt, houd er dan rekening mee dat (1) het Ooni Karu 12-gasbranderbevestigingsdeel uitsluitend mag worden gebruikt met uw Ooni, dus met geen enkel ander apparaat, en (2) alle bepalingen van de juridische veiligheidsdisclaimer van de Ooni Karu 12-oven ook van toepassing zijn op het gebruik van het hulpstuk van uw Ooni Karu 12-gasbrander, naast de bepalingen van deze juridische veiligheidsdisclaimer. We raden u dringend aan uw Ooni Karu 12-oven niet samen met het Ooni Karu 12-gasbranderbevestigingsdeel te gebruiken, totdat uw Ooni Karu 12-oven grondig en naar behoren op gaslekage is getest.
2. Bijproducten van de verbranding die ontstaan bij het gebruik van de Ooni Karu 12-oven met uw Ooni Karu 12-gasbranderbevestigingsdeel bevatten koolstof en koolmonoxide in het rookgas van de Ooni Karu 12-gasbrander; deze stoffen staan bij inademing binnenshuis of in een andere niet geventileerde ruimte bekend als mogelijke doodsoorzaak door verstikking en/of koolmonoxidevergiftiging.
3. Als de Ooni Karu 12-gasbrander niet aanspringt, draai de knoppen dan UIT, wacht 5 minuten en probeer het opnieuw. Draai de gaskraan altijd dicht tijdens de wachttijd van 5 minuten. Als de Ooni Karu 12-gasbrander niet ontsteekt met de klep open, blijft er gas uit de Ooni Karu 12-gasbrander stromen en kan dit per ongeluk ontsteken met risico op letsel.
4. Als er op enig moment een gaslek wordt gedetecteerd, STOP dan en bel de brandweer. Propaangas dat lekt kan een explosie, brand, ernstig persoonlijk letsel of de dood tot gevolg hebben. Als u gas ruikt, (1) sluit het gas naar het apparaat af, (2) doof open vuur en, (3) als de geur aanhoudt, blij dan uit de buurt van uw Ooni Karu 12-oven en bel onmiddellijk uw gasleverancier of uw brandweer. Als u een gaslek niet kunt stoppen, sluit dan onmiddellijk de LPG (propaangas)-klep en bel de LPG-leverancier of uw brandweer. Als er "groeierende" bellen in de cilinder verschijnen, gebruik of verplaats dan geen LPG (propaan). Neem contact op met een LPG-leverancier of de brandweer.
5. Bewaar of gebruik geen benzine of andere brandbare vloeistoffen of dampen in de buurt van uw Ooni Karu 12-oven of enig ander apparaat. Steek geen gereedschap of vreemde voorwerpen in de klepuitlaat of veiligheidsklep. U kunt zo de klep beschadigen en een lek veroorzaken. Probeer nooit uw Ooni Karu 12-gasbrander aan te sluiten op het zelfstandige LPG-systeem van een kampeerauto of camper. Gebruik uw Ooni Karu 12-oven nooit met LPG (propaan) in een andere positie dan aangegeven in de montage-instructies. Sluit de LPG (propaan)-klep altijd voordat u de LPG (propaan)-fles uit de gespecificeerde werkingspositie verplaatst. Schakel de bedieningselementen en de gasbron of tank UIT wanneer deze niet in gebruik is.
6. Gebruik de Ooni Karu 12-gasbrander, zoals gekocht, uitsluitend met LPG (propaan en butaan) en de meegeleverde regelaar/klepmontage. Probeer niet om de slang/klep/regelaar te repareren of te wijzigen voor een 'verondersteld' defect. Elke wijziging aan deze montage brengt het risico van gaslek en brand met zich mee. Gebruik alleen geautoriseerde vervangende onderdelen die zijn geleverd door Ooni Limited. Bewaar NOOIT een reserve LPG (propaan)-fles onder of in de buurt van uw Ooni Karu 12-oven of in een afgesloten ruimte. Een LPG (propaan) dat niet is aangesloten voor gebruik, mag niet in de buurt van uw Ooni Karu 12-oven of enig ander apparaat worden bewaard.
7. U gebruikt uw Ooni Gasbrander voor Ooni Karu 12-opzetstuk, in combinatie met uw Ooni Karu 12-oven, alleen met gevulde LPG (propaan)-flessen.

Een onjuist opgeslagen LPG (propaan)-fles is een gevaar als gevolg van het mogelijk vrijkomen van gas uit de veiligheidsklep. Dit kan een intense brand veroorzaken met risico op materiële schade, ernstig letsel of overlijden. Als u gas ziet, ruikt of hoort ontsnappen, ga dan onmiddellijk weg van de LPG (propaan)-fles of -toestel en bel uw brandweer.

OOINI LIMITED, OOINI INC OF OOINI GMBH AANVAARDT GEEN ENKELE AANSPRAKELIJKHEID, WETTELIJK OF ANDERSZINS, VOOR DE INCIDENTELE OF GEVOLGSCHADE AAN EIGENDOMMEN OF PERSONEN DIE VOORTVLOEIT UIT HET GEBRUIK VAN UW OOINI KARU 12-GASBRANDERBEVESTIGINGSDEEL DAT NIET VOLDOET/VOLDEED AAN DE BEPALINGEN VAN DE HUIDIGE WETTELIJKE DISCLAIMER.

OOINI LIMITED, OOINI INC OF OOINI GMBH IS IN GEEN GEVAL AANSPRAKELIJK VOOR ENIGE SPECIALE, INDIRECTE, GEVOLG-OF ANDERE SCHADE VAN WELKE AARD DAN OOK DIE DE OORSPRONKELIJKE AANKOOPPRIJS VAN UW OOINI KARU 12-GASBRANDERBEVESTIGINGSDEEL TE BOVEN GAAT.

In sommige staten of landen is de uitsluiting of beperking van incidentele schade of gevolgschade niet toegestaan, daarom zijn dergelijke beperkingen of uitsluitingen mogelijk niet op u van toepassing.

Veiligheidsinformatie

- Lees de instructies voordat u het apparaat gebruikt.
- Alleen buiten gebruiken.
- Waarschuwing! Toegankelijke onderdelen kunnen erg heet zijn. Houd jonge kinderen uit de buurt.
- Waarschuwing! Zorg ervoor dat de poten van Ooni Karu 12 voor gebruik helemaal zijn uitgekapt
- Waarschuwing! Raak het uiteinde van de elektrode bij het ontsteken van de brander niet aan, om schokken te voorkomen.
- Waarschuwing! Stel de plafondventilatie en schoorsteenventilatie tijdens gebruik niet bij.
- Waarschuwing! Blijf uit de buurt van de uitlaatgassen die uit de schoorsteen komen
- Waarschuwing! Zorg ervoor dat er een afstand van minstens 3,5 inch of 90 mm is tussen de randen van alle ovenpotten en de rand van het tafelblad.
- Houd jonge kinderen uit de buurt.
- Verplaats het apparaat niet tijdens gebruik.
- Sluit na gebruik de gastoevoer bij de gasfles af.
- Pas het apparaat niet aan.
- Onderdelen die door de fabrikant of agent zijn verzegeld, mogen niet door de gebruiker worden gemanipuleerd.
- Gebruik altijd beschermende handschoenen bij het hanteren van hete componenten.
- Opslag van een apparaat binnenshuis is alleen toegestaan als de cilinder is losgekoppeld en van het apparaat is verwijderd. Als het apparaat een bepaalde tijd niet wordt gebruikt, moet het uit de oven worden gehaald en in de originele verpakking in een droge stofvrije omgeving worden bewaard.
- LET OP: Alle reinigings- en onderhoudswerkzaamheden moeten worden uitgevoerd als de oven is afgekoeld en met de gastoevoer op de gasfles UIT en losgekoppeld.
- CONTROLEER VOOR GEBRUIK HET APPARAAT EN DE AANSLUITINGEN OP LEKKAGE: Controleer nooit met open vuur op lekken, maar gebruik altijd een sopje. Lekkagetest: test op lekkages elke keer dat een nieuwe gastank wordt aangesloten of nadat het toestel een lange periode niet is gebruikt. Zorg ervoor dat de klep correct is uitgelijnd met de venturi. Let op dat de slang niet barst of slijt. BELANGRIJK: als u een gaslek niet kunt stoppen, draai dan de gastankkraan dicht en bel uw plaatselijke gastankdealer of de brandweer.
- Het apparaat moet tijdens gebruik uit de buurt van brandbare materialen worden gehouden.
- Zorg er bij het vervangen van de gasfles voor dat de knop van de Ooni Karu 12-gasbrander in de uit-stand staat, koppel de regelaar los van de gasfles en verwijder de gasfles. Zorg er tijdens dit proces voor dat de gasfles op minimaal 1 meter afstand van de oven wordt gehouden om ontstekingsrisico's te vermijden.



Ga bij het opnieuw aansteken aan de zijkant staan, kijk nooit rechtstreeks in de oven of in de vlam.



De meegeleverde gasregelaar is mogelijk niet geschikt voor gebruik in uw gebied of regio, raadpleeg uw lokale regelgeving voor meer informatie.

Stap 1

Slangbuis installeren (indien nodig)

De regelaars en slangaansluitingen variëren al naar gelang uw regio.

Als uw Ooni Karu 12-gasbrander een slanguiteinde met binnenschroefdraad heeft, volg dan stap 1a.

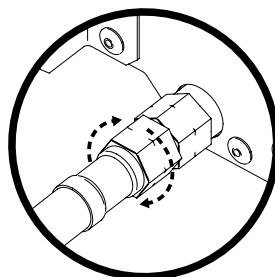
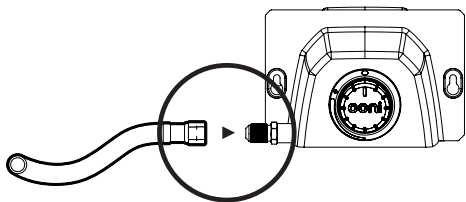
Als uw Ooni Karu 12-gasbrander een weerhaak met schroefdraad en een normale slang met een slangklem heeft, volg dan stap 1b en daarna 1c.

Als uw Ooni Karu 12-gasbrander een normale slang met een slangklem heeft, volg dan stap 1c.

Als uw Ooni Karu 12-gasbrander vooraf is geïnstalleerd, gaat u verder met stap 2.

Stap 1a

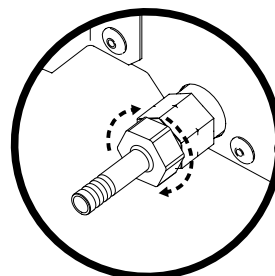
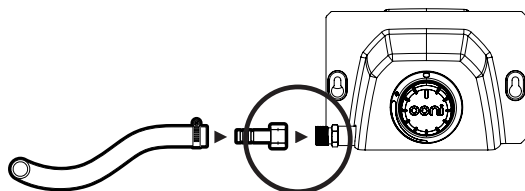
Draai met passende sleutels vast



! Draai binnen de EU tegen de klok in.

Stap 1b

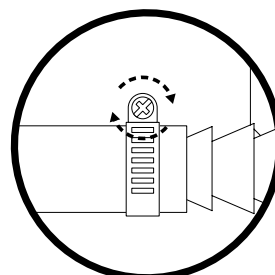
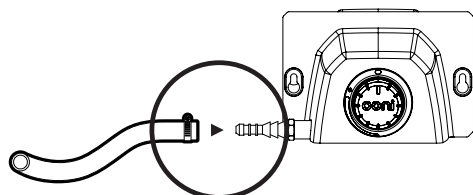
Draai met passende sleutels vast en volg stap 1c.



! Draai binnen de EU tegen de klok in.

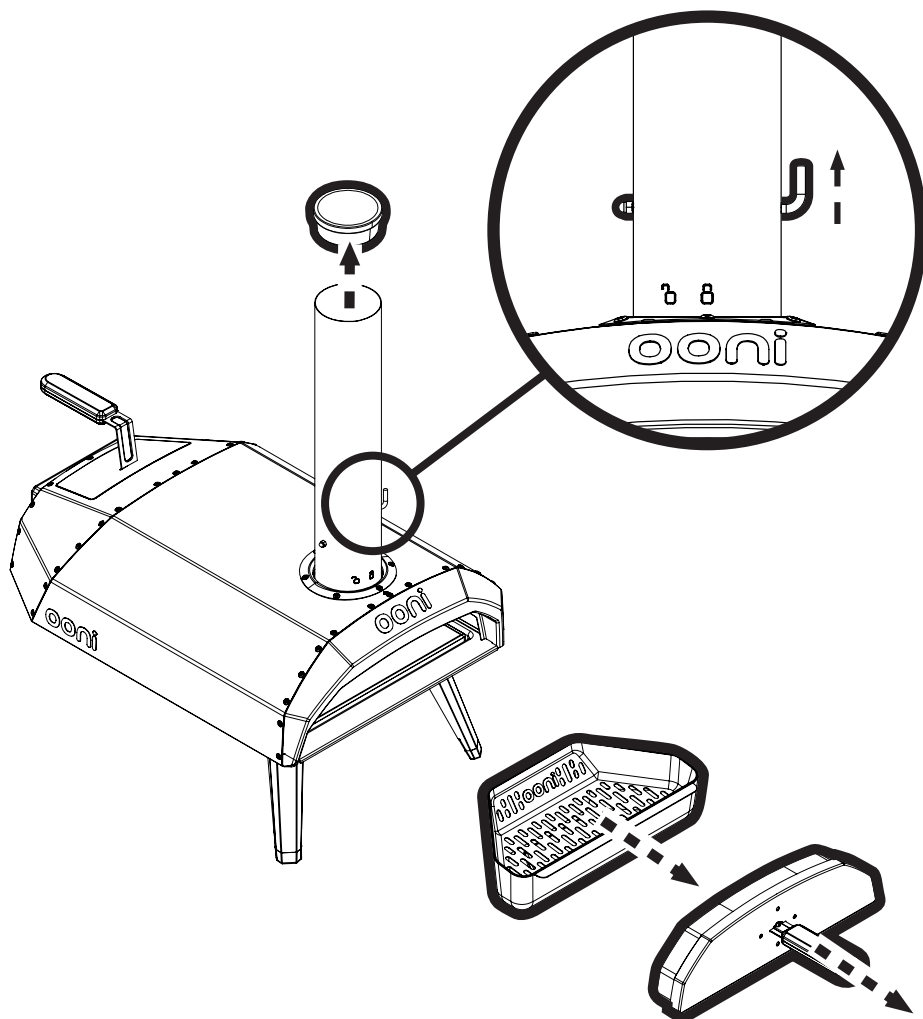
Stap 1c

Draai met passende schroevendraaier vast.

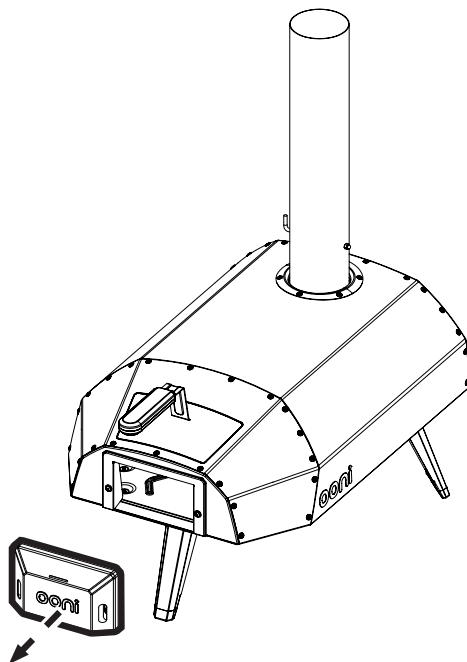
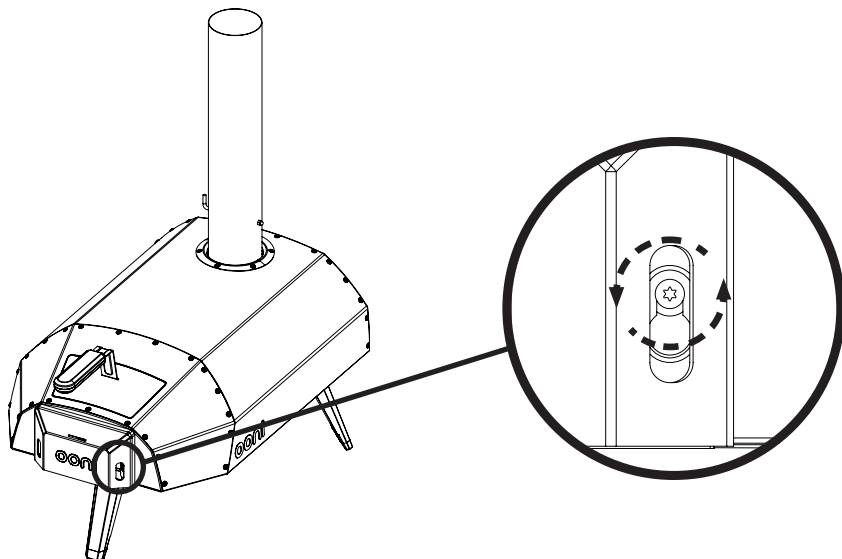


Step 2

Verwijder de deur en het brandstofreservoir en zorg ervoor dat de schoorsteenopening open is

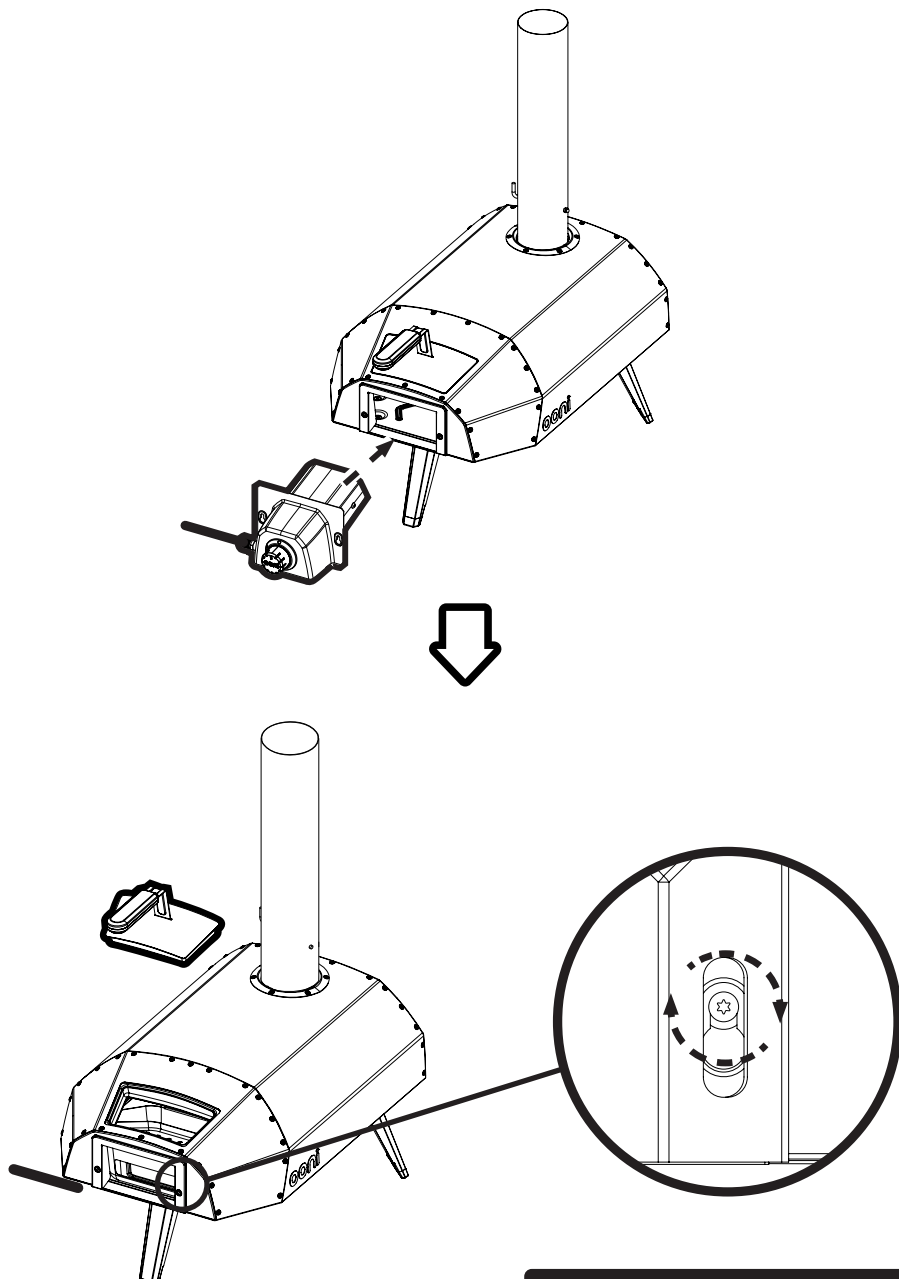


Stap 3
Verwijder de plaat van de tochtbeschermer



Stap 4

Ooni gasbrander koppelen aan Ooni Karu 12

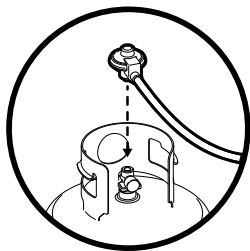


Draai de schroeven vast, maar niet té vast

Stap 5

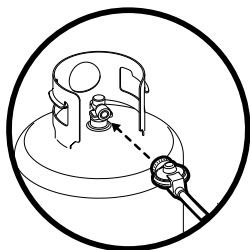
Sluit aan op gasfles

Regelaars variëren afhankelijk van uw regio.



Patio-gasregelaar

Dit is een opschuifbare gasarmatuur. Zorg ervoor dat de zwarte schakelaar in de horizontale positie staat. Druk op de knop onder de zwarte schakelaar en druk op de regelaar op de tankklep totdat deze op zijn plaats vastklikt.

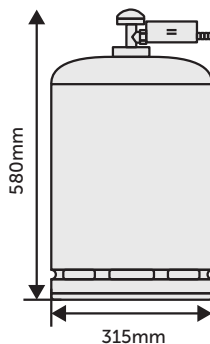


POL-gasregelaar

Dit is een gasfitting met schroefdraad tegen de klok in. Zorg ervoor dat de tank volledig is uitgeschakeld en schroef de regelaar vast op de gasflesklepfitting.

Veiligheidsinformatie gas

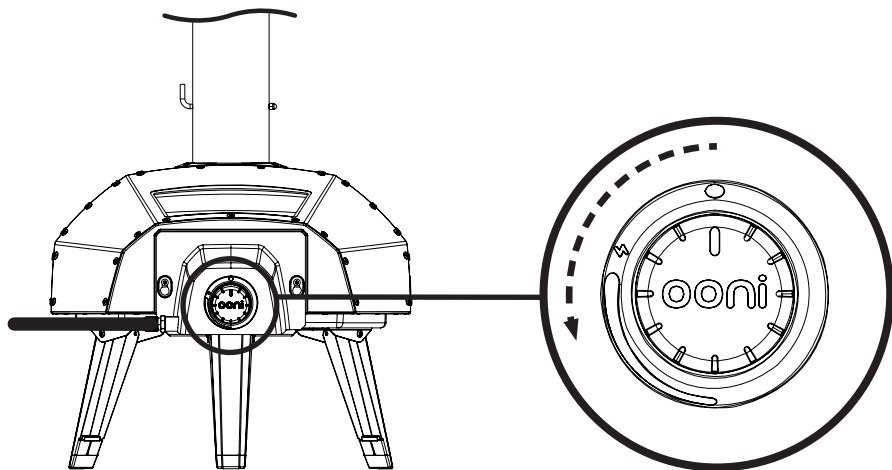
- Het apparaat moet op minimaal 1 meter afstand van brandbare materialen worden geïnstalleerd.
- De oven moet op een niet-brandbare, stabiele en vlakke ondergrond worden geplaatst.
- Zorg ervoor dat uw oven in een ruimte staat die niet wordt beïnvloed door slecht weer.
- Apparaat alleen te gebruiken met LPG (propan). Minimale cilinderinhoud 4 kg, maximale cilinderinhoud 13 kg.
- Gebruik een geschikte meegeleverde regelaar gecertificeerd volgens EN 16129 en een flexibele slang gecertificeerd volgens EN 16436.
- De lengte van de slang mag niet meer zijn dan 1,5 meter. Een versleten of beschadigde slang moet worden vervangen. Zorg ervoor dat de slang niet wordt geblokkeerd, geknikt of in contact komt met enig ander deel van de oven dan de aansluiting.
- De gastoevoer slang moet periodiek worden gecontroleerd en moet bij beschadiging en minimaal om de twee jaar worden vervangen.
- Volg de nationale vereisten van uw land inzake hoe vaak u de slang moet vervangen. Bekijk deze vereisten voor uw land regelmatig.
- Schakel in het geval van een geblokkeerde venturi de branderunit onmiddellijk uit, sluit de gastoevoer af en wacht tot het afgekoeld is om de oven te verwijderen.
- Zorg ervoor dat het apparaat voor elk gebruik vrij is van vuil. Als er zich vuil heeft opgehoopt, gebruik dan een borstel om dit te verwijderen als het apparaat is afgekoeld.



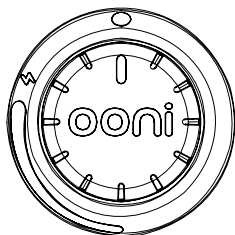
Stap 6

Ontsteking

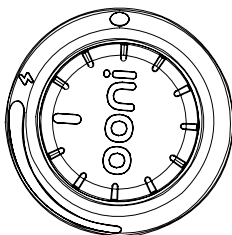
1. Draai het gas open bij de gasfles.
2. Druk de knop in en draai hem linksom tot hij klikt. Draai niet te snel.
Van drukken tot klikken zou ongeveer 3 seconden moeten duren
3. Houd de knop 5 seconden ingedrukt en laat dan los.



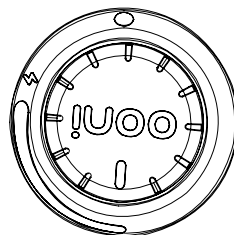
Uit



Maximaal vermogen



Minimaal vermogen

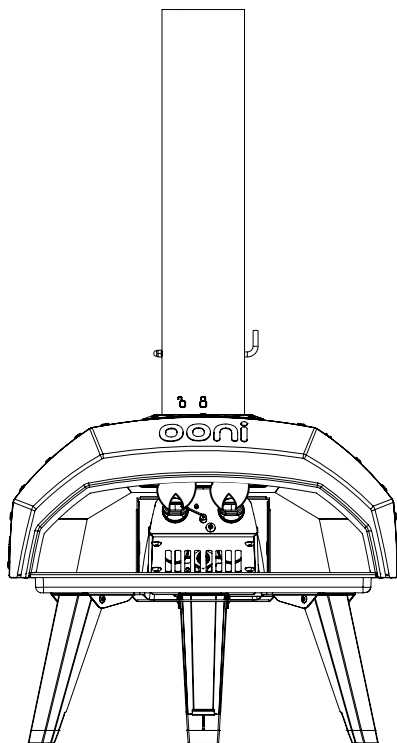


Blijf tijdens het aansteken uit de buurt van de oven, zorg ervoor dat er niemand binnen een straal van 1 meter voor de oven staat. Blijf bij het ontsteken op een armlengte van de oven staan en leun tijdens het ontsteken niet over de oven.

Stap 7

Controleer of de gasbrander aanstaat

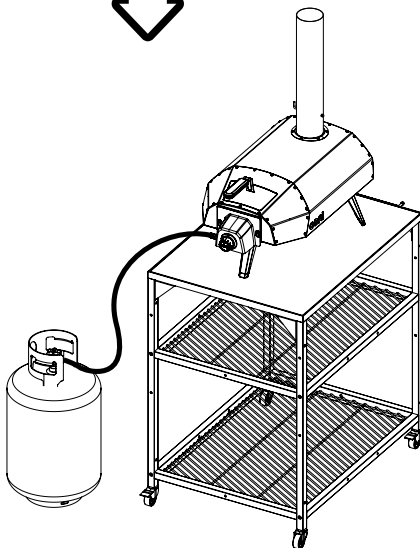
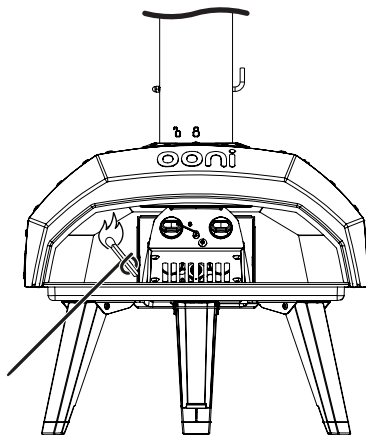
1. Als dit niet het geval is, zet dan het gas uit en ga terug naar stap 6.
2. Ga naar stap 8 als de brander nog steeds niet ontsteekt.



Stap 8

Aansteken - met behulp van een lucifer

Als de brander nog steeds niet ontsteekt; zet het gas aan en steek door het luik aan de voorkant van de oven aan met behulp van een lucifer en de bijgeleverde luciferhouder. Houd het voor de branders. Druk op de knop en draai hem zoals beschreven in Stap 6.



! Leid de gaslang altijd weg van de oven. De slang mag de ovenbehuizing niet raken.

! Als de vlammen uitgaan, draait u het gas dicht en wacht u 5 minuten voordat u de oven weer aansteekt

Probleemoplossing

Probleem	Oorzaak probleem	Preventie / oplossing
Mijn oven wordt niet heet genoeg	<ol style="list-style-type: none"> 1. Lege gasfles 2. Scheuren of lekkages op de slang 3. Regelaar niet goed bevestigd 4. Gebruik onder extreme omstandigheden 	<ol style="list-style-type: none"> 1. Controleer of de gasfles vol is, zelfs een fles met weinig gas kan de prestatie van de gasbrander beïnvloeden 2. Zorg ervoor dat er geen scheuren of lekkages op de slang aanwezig zijn 3. Zorg ervoor dat de regelaar goed is bevestigd aan de gasfles en dat de slang stevig is bevestigd aan de gasbrander, vastgedraaid met de juiste maat moersleutels zoals beschreven in de instructiehandleiding 4. Uw gasbrander en oven mogen niet worden gebruikt in extreme omstandigheden (bijv. harde wind)
Mijn gasbrander gaat niet aan	<ol style="list-style-type: none"> 1. Onjuiste opstelling 2. Lege gasfles 3. Scheuren of lekkages op de slang 4. Onjuiste ontstekingsstechniek. 5. Regelaar niet goed bevestigd 6. Onjuiste uitlijning van de vonkgever 	<ol style="list-style-type: none"> 1. Zorg ervoor dat de schoorsteenkap is verwijderd en dat de plafondventilatoren en schoorsteenventilatie open zijn. De deur moet open zijn. 2. Controleer of de gasfles vol is, zelfs een fles met weinig gas kan de prestatie van de gasbrander beïnvloeden 3. Zorg ervoor dat er geen scheuren of lekkages op de slang aanwezig zijn 4. Als u de draaiknop te snel draait, kan de gasbrander niet aan gaan. 5. Zorg ervoor dat de regelaar goed is bevestigd aan de gasfles en dat de slang stevig is bevestigd aan de gasbrander, vastgedraaid met de juiste maat moersleutels zoals beschreven in de instructiehandleiding 6. Verplaats de vonkgever, zodat hij 2-3 mm van de voorkant van de branderkap verwijderd is.
Mijn vlam is te geel/te blauw	Veranderingen in de omgeving, het voedsel dat u kookt, de omgevingstemperatuur en de conditie van uw Ooni-oven kunnen de kleur van uw vlam beïnvloeden	De kleur van uw vlam heeft geen invloed op de smaak of kwaliteit van uw eten.
Mijn FSD werkt niet correct	Er kan zich roet ophopen op mijn FSD-sonde	Zorg ervoor dat de gasbrander en de gastoevoer zijn uitgeschakeld, wacht tot de brander is afgekoeld, maak de sonde en de brandergaten voorzichtig schoon met een vochtige doek, en laat de brander volledig drogen voordat u hem weer aansteekt.
Gasbrander voor Ooni houdt zijn vlam niet vast	<ol style="list-style-type: none"> 1. Gebrek aan zuurstof 2. Oven geplaatst op een oneffen oppervlak 	<ol style="list-style-type: none"> 1. Open de schoorsteenopening van uw Ooni Pro om een betere luchtstroom door de oven te stimuleren 2. Als uw Ooni tijdens het opstellen scheef staat, zal de zuurstof niet zo goed stromen. Probeer hem op een vlakke ondergrond op te stellen.
Ik hoor een 'loeiend geluid' uit de gasbrander komen en mijn vlammen zijn erg zwak	Vlam brandt binnen de venturi	Schakel direct de gastoevoer en de gasbrander uit, wacht 5 minuten en steek de gasbrander weer aan.

Technische productinformatie

Modelnummer

Ooni Karu 12-gasbrander

Productetiket

ooni	
Ooni Limited, 189 West Main Street, Broxburn, Scotland, EH52 5LH	I3B/P(30)
	Butane, Propane or their mixture
	28 - 30 mbar
Ooni Karu 12 Gas Burner	5.3 kW, 386g/h
DK, FI, IT, NL, NO, SE, LU, MT	0.81 mm * 2
DE: Butan, Propan oder eine Mischung davon DK: Butan, propan eller en blanding af disse ES: Butano, propano o sus mezclas FI: Butaani, propaani tai niiden seos IT: Butano, propano o una miscela dei due NL: Butaan, propaan of hun mengsel NO: Butan, propan eller deres blandinger SE: Butan, propan eller en blandning av de två	SN

Injectoren

Injectormarkering: **0,81 mm**

Markering: **0.81**

Ansvarsfraskrivelse – må leses i sin helhet før bruk

Les den aktuelle juridiske ansvarsfraskrivelsen i sin helhet før du monterer, installerer og bruker/vedlikeholder Oni gassbrennertilbehør for Ooni Karu 12 sammen med Ooni Karu 12-ovnen. Unnlattelse av å overholde alle bestemmelsene i den aktuelle juridiske ansvarsfraskrivelsen kan føre til skade på eiendom, alvorlig kroppsskade, død, eller brann som forårsaker skade på eiendom.

1. Når du bruker Ooni Karu 12-ovnen sammen med gassbrennertilbehøret for Ooni Karu 12, må du huske at (1) gassbrennertilbehøret for Ooni Karu 12 kun skal brukes med din Ooni, ikke andre apparater, og (2) alle bestemmelsene i den juridiske ansvarsfraskrivelsen for Ooni Karu 12-ovnen også gjelder for bruk av gassbrennertilbehøret for Ooni Karu 12, i tillegg til bestemmelsene i denne juridiske ansvarsfraskrivelsen. Det anbefales på det sterkeste at du ikke bruker Ooni Karu 12-ovnen sammen med gassbrennertilbehøret for Ooni Karu 12 før gassbrenneren for Ooni Karu 12-ovnen har blitt testet grundig og fagmessig for gasslekkasje.
2. Biprodukter fra forbrenning, som oppstår når du bruker Ooni Karu 12-ovnen i kombinasjon med gassbrennertilbehøret for Ooni Karu 12, omfatter karbon og karbonmonoksid i røykgassen fra gassbrennertilbehøret for Ooni Karu 12. Dersom disse stoffene inhaleres innendørs eller i et annet område med utilstrekkelig ventilasjon, kan de forårsake død ved kveldning og/eller karbonmonoksidforgiftning.
3. Hvis gassbrenneren til Ooni Karu 12 ikke tennes, slår du bryterne AV, venter i 5 minutter og prøver så på nytt. Gassventilen skal alltid være lukket under denne ventetiden på 5 minutter. Hvis gassbrenneren for Ooni Karu 12 ikke tennes og ventilen står åpen, fortsetter gassen å strømme ut av gassbrenneren for Ooni Karu 12. Denne gassen kan så antennes ved et uhell og forårsake personskader.
4. Hvis du oppdager en gasslekkasje, STOPP øyeblikkelig og ring brannvesenet. Propanlekkasje kan føre til eksplosjon, brann, alvorlig personskade og død. Hvis du lukter gass, må du (1) stenge av gassen til apparatet og (2) slukke all åpen ild. (3) hvis lukten ikke blir borte, må du holde deg borte fra Ooni Karu 12-ovnen og ringe gassleverandøren eller brannvesenet umiddelbart. Hvis du ikke klarer å stoppe en gasslekkasje, må du umiddelbart stenge gassventilen (propan) og ringe gassleverandøren eller brannvesenet. Hvis du ser «voksende» bobler i sylindern, må du ikke bruke eller flytte gassen (propan). Kontakt en gassleverandør eller brannvesenet.
5. Bensin og andre brennbare væsker eller damp må ikke oppbevares eller brukes i nærheten av Ooni Karu 12-ovnen eller andre apparater. Stikk ikke verktøy eller fremmedlegemer inn i ventilåpningen eller sikkerhetsventilen. Dette kan skade ventilen og forårsake lekkasje. Forsøk aldri å koble gassbrenneren for Ooni Karu 12 til det innebygde gasssystemet i en campingvogn eller bil. Bruk aldri Ooni Karu 12-ovnen din med gass (propan) i noen annen posisjon enn den som er spesifisert i monteringsanvisningen. Lukk alltid gassventilen (propan) før du flytter gassen (propan) fra den angitte bruksposisjonen. Skru kontrollene og gasskilden/gassbeholderen AV når de ikke er i bruk.
6. Bruk gassbrenneren for Ooni Karu 12 i den tilstanden den var i ved kjøp. Bruk den kun med gass (propan), og bruk kun regulatoren/ventiloppsettet som fulgte med. Prøv ikke å reparere eller endre slangen/ventilen/regulatoren hvis du finner eventuelle «antatte» feil. Enhver endring av dette oppsettet medfører risiko for gasslekkasje og brann. Bruk kun autoriserte reservedeler fra Ooni Limited. Oppbevar ALDRI en ekstra gassbeholder (propan) under eller i nærheten av Ooni Karu 12-ovnen eller i et lukket område. Gassbeholdere (propan) som ikke er koblet til for bruk, skal ikke oppbevares i nærheten av Ooni Karu 12-ovnen eller noe annet apparat.
7. Gassbrennertilbehøret til Ooni Karu 12 skal kun brukes sammen med Ooni Karu 12-ovnen, og kun med forhåndsfylte gassbeholdere (propan).

Gassbeholdere (propan) som lagres feil, utgjør en fare på grunn av mulig gassutslipp fra sikkerhetsventilen. Dette kan føre til en intens brann med fare for materielle skader, alvorlig personskade og død. Hvis du ser, lukter eller hører gass som strømmer ut, må du øyeblikkelig bevege deg bort fra gassbeholderen (propan) / apparatet og ringe brannvesenet.

OONI LIMITED, OONI INC ELLER OONI GMBH AKSEPTERER IKKE NOEN FORM FOR ANSVAR, JURIDISK ELLER ANDRE FORMER, FOR TILFELDIGE SKADER ELLER FØLGESKADER PÅ EIENDOM ELLER PERSONER SOM OPPSTÅR FORDI GASSBRENNEREN FOR OONI KARU 12 BRUKES / BLE BRUKT PÅ MÅTER SOM IKKE OPPFYLLER ALLE BESTEMMELSENE I DENNE JURIDISKE ANSVARFRASKRIVELSEN.

OONI LIMITED, OONI INC ELLER OONI GMBH ER UNDER INGEN OMSTENDIGHETER ANSVARLIG FOR SPEIELLE SKADER, INDIREKTE SKADER, FØLGESKADER ELLER NOEN SOM HELST FORM FOR ANDRE SKADER SOM OVERSKRIDER VERDIEN AV DEN OPPRINNELIGE KJØPESUMMEN FOR GASSBRENNER FOR OONI KARU 12.

Enkelte stater og land tillater ikke utelukkelse eller begrensnings av tilfeldige skader eller følgeskader, så det er mulig at slike begrensninger eller unntak ikke gjelder for deg.

Sikkerhetsinformasjon

- Les instruksjonene før du bruker apparatet.
- Skal kun brukes utendørs.
- Advarsel! Tilgjengelige deler kan være svært varme. Hold små barn unna.
- Advarsel! Påse at bena på Ooni Karu 12 er slått helt ut før bruk.
- Advarsel! Unngå å berøre elektrodetuppen ved tenning av brenneren for å unngå elektrisk støt.
- Advarsel! Ikke juster takluken eller skorsteinsventilen under bruk.
- Advarsel! Hold avstand fra utslippsgasser fra pipen.
- Advarsel! Sørg for en avstand på minst 90 mm mellom kanten av ovnens ben og kanten av bordoverflaten.
- Hold små barn unna.
- Flytt ikke enheten mens den er i bruk.
- Slå av gassforsyningen fra gassbeholderen etter bruk.
- Gjør ikke endringer på enheten.
- Deler som er forseglet av produsenten eller agenten, må ikke manipuleres av brukeren.
- Bruk alltid vernehansker når du håndterer varme deler.
- Det er kun tillatt å oppbevare enheten innendørs hvis gassbeholderen kobles fra og fjernes fra apparatet. Når enheten ikke skal brukes på en stund, bør den fjernes fra ovnen og oppbevares i originalemballasjen i tørre og støvfrie omgivelser.
- FORSIKTIG: Rengjøring og vedlikehold skal kun utføres når ovnen er kald og brennstofftilførselen er slått AV ved gassbeholderen og koblet fra.
- KONTROLLER ENHETEN OG KOBLINGSPUNKTENE FOR LEKKASJER FØR BRUK: Kontroller aldri lekkasjer med åpen ild, bruk alltid såpevann. Lekkasjetesting: Test for lekkasjer hver gang du kobler til en ny gasstank eller når enheten har stått ubrukt en lengre periode. Kontroller at ventilen er korrekt justert i forhold til venturien. Kontroller at slangen ikke har sprekker. VIKTIG: Hvis du ikke klarer å stoppe en gasslekkasje, må du skru av gasstankventilen og ringe din lokale gassforhandler eller brannvesenet.
- Apparatet må holdes unna brennbare materialer under bruk.
- Når du bytter gassbeholder, må du forsikre deg om at bryteren på gassbrenneren for Ooni Karu 12 er skrudd av, koble regulatoren fra gassbeholderen og fjerne beholderen. Gjennom hele denne prosessen må du sørge for at beholderen holdes minst 1 meter unna ovnen for å unngå antenning.



Stå til siden når du tenner opp på nytt – se aldri direkte inn i ovnen eller på flammen.



Den medfølgende gassregulatoren er kanskje ikke egnet for bruk i området eller regionen du befinner deg i. Sjekk de lokale forskriftene for å få mer informasjon.

Trinn 1

Installer slangerør (om nødvendig)

Regulatorer og slangekoblinger varierer fra region til region.

Hvis slangen til Ooni Karu 12 er utstyrt med en gjenget hunn-kobling, følg trinn 1a.

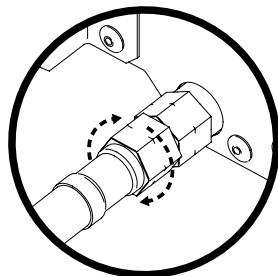
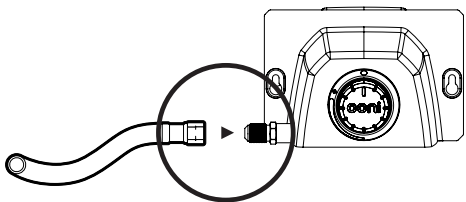
Hvis Ooni Karu 12-gassbrenneren er utstyrt med en gjenget pigg og en vanlig slange med slangeklemme, følger du først trinn 1b og så trinn 1c.

Hvis Ooni Karu 12-gassbrenneren har en vanlig slange med slangeklemme, følg trinn 1c.

Hvis Ooni Karu 12-gassbrenneren har forhåndsmontert slange, går du videre til trinn 2.

Trinn 1a

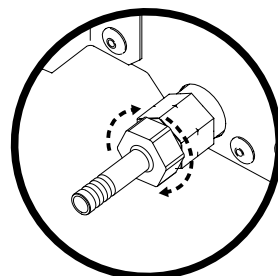
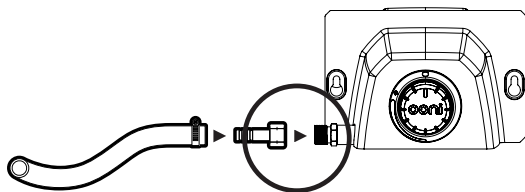
Stram til med passende skiftenøkler.



! Stram mot klokken i EU.

Trinn 1b

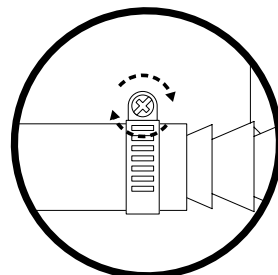
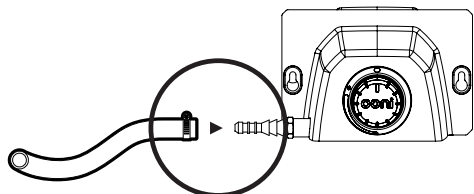
Stram til med passende skiftenøkler, og følg så trinn 1c.



! Stram mot klokken i EU.

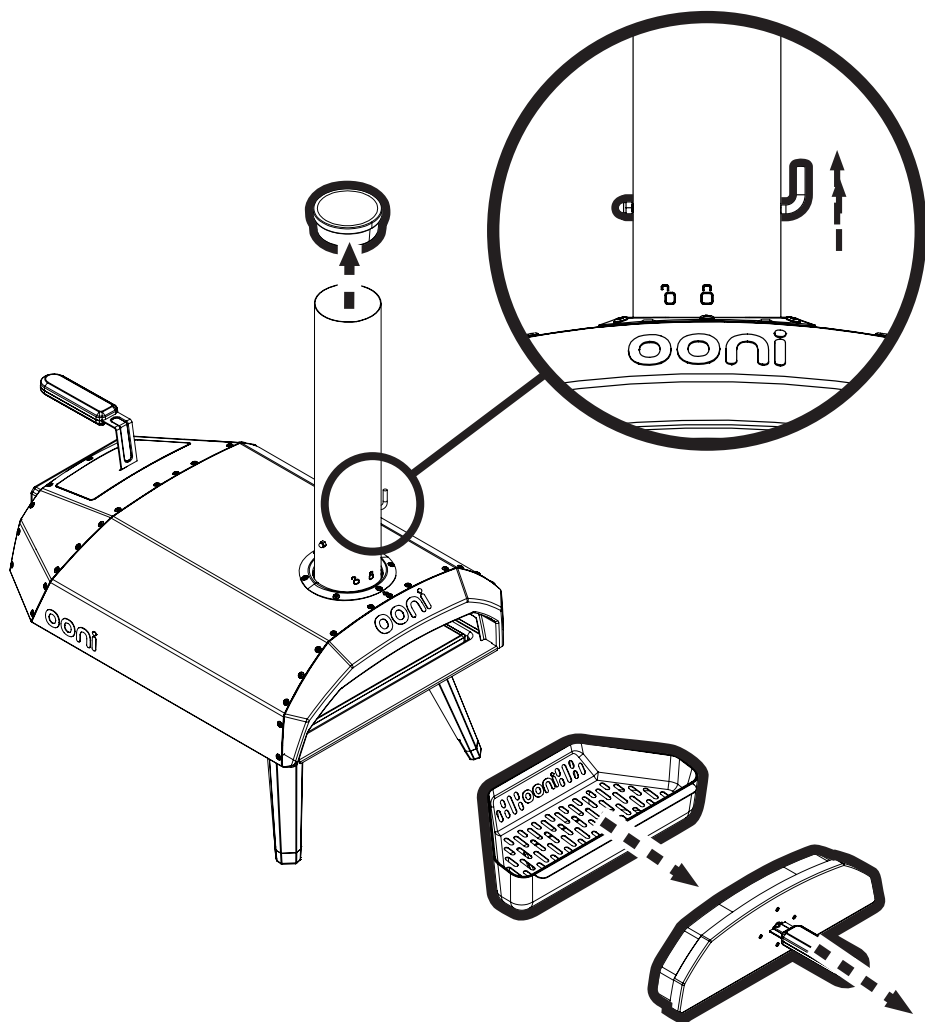
Trinn 1c

Stram til med en passende skrutrekker.

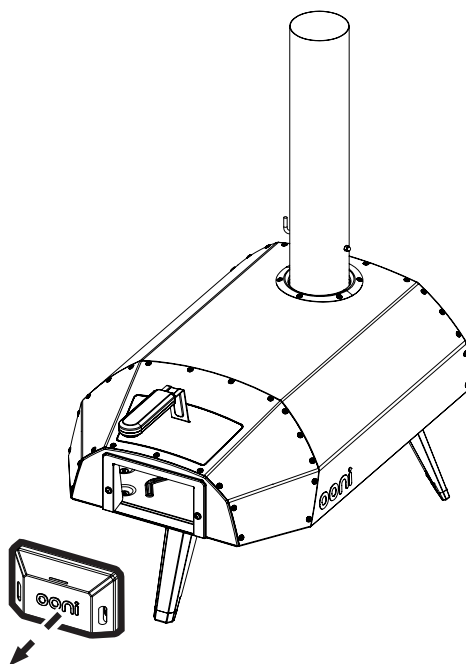
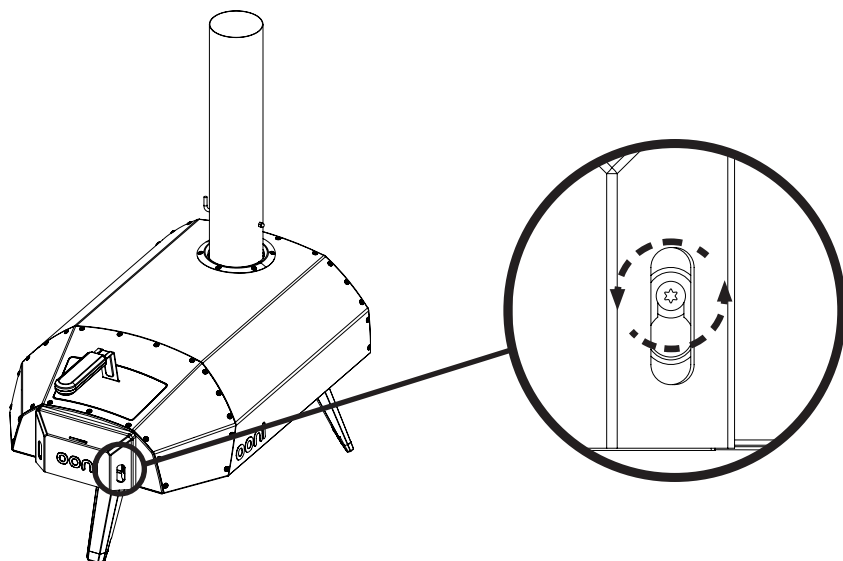


Trinn 2

Fjern døren og brennstoffskålen og kontroller at pipen er åpen.

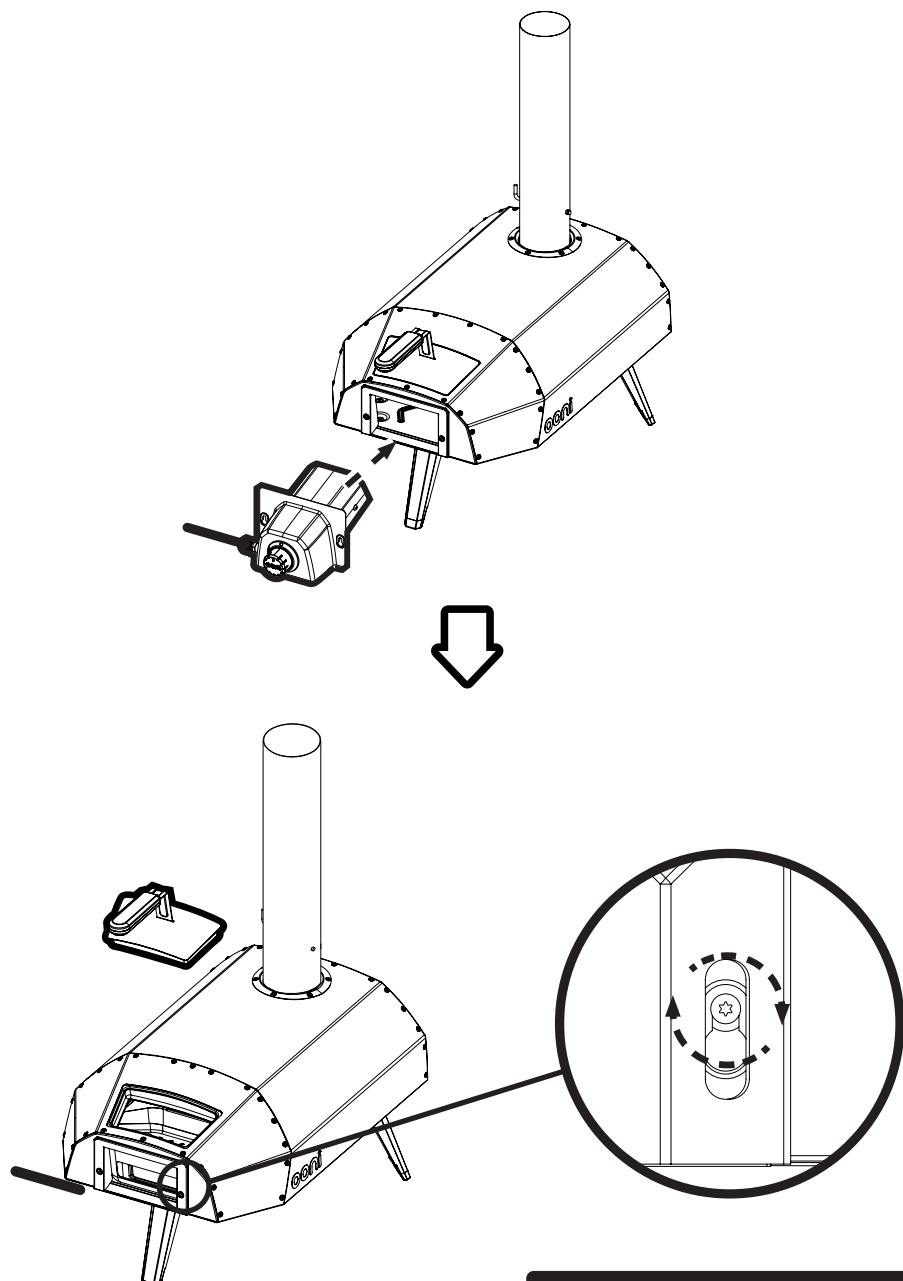


Trinn 3
Fjern trekkplaten.



Trinn 4

Legg til Ooni gassbrenner til Ooni Karu 12

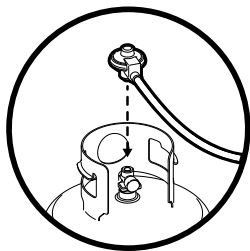


Stram til skruene, men ikke stram dem for hardt.

Trinn 5

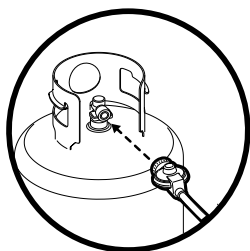
Koble til gassbeholderen

Regulatorer varierer fra region til region.



Terrasse-gassregulator

Dette er en gasskobling som trykkes på plass. Forsikre deg om at den svarte bryteren står i vannrett stilling. Trykk på knappen under den svarte bryteren, og trykk regulatoren inn på tankventilen til den låses på plass.

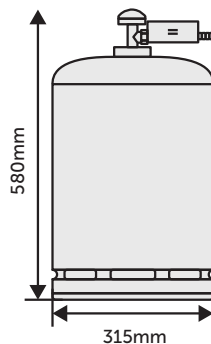


POL-gassregulator

Dette er en enhet som har gjenger som går mot klokken. Forsikre deg om at beholderen er skrudd helt av, og skru regulatoren inn på gassventilen til den sitter godt.

Sikkerhetsinformasjon for gass

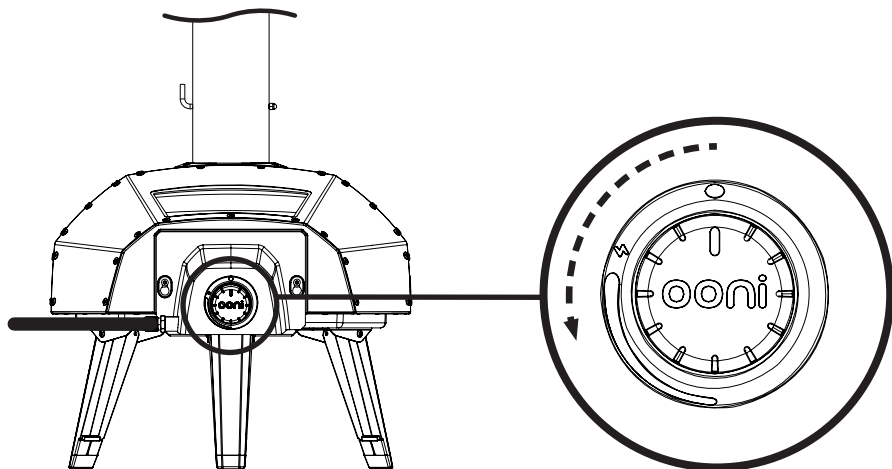
- Apparatet må installeres minst 1 meter fra alle brennbare materialer.
- Ovnens plassering skal være på en ikke-brennbar, stabil og flat overflate.
- Sørg for at ovnen er plassert i et område som ikke blir påvirket av dårlig vær.
- Apparatet skal kun brukes med propangass. Minimum beholderstørrelse er 4 kg, maksimum beholderstørrelse er 13 kg.
- Bruk en passende regulator som er sertifisert i henhold til EN 16129 og en fleksibel slange som er sertifisert i henhold til EN 16436.
- Slangen må ikke være lengre enn 1,5 meter. Hvis slangen er slitt eller skadet, må den erstattes. Forsikre deg om at slangen ikke er tilstoppet eller bøyd og at den ikke berører andre deler av ovnen enn tilkoblingspunktet.
- Gassslangen bør kontrolleres med jevne mellomrom. Den skal byttes ut hvis den er skadet, og den skal uansett byttes minst hvert annet år.
- De nasjonale kravene i bostedslandet ditt indikerer hvor ofte du skal bytte slangen. Undersøk jevntlig kravene som gjelder for landet ditt.
- Hvis venturi-enheten er blokkert, skal du øyeblikkelig skru av brenneren, skru av gasstilførselen, koble fra gasstilførselen og så vente til den er avkjølt før den fjernes fra ovnen.
- Forsikre deg om at apparatet er fritt for smuss før hver bruk. Hvis det finnes smuss, fjerner du det med en børste når apparatet er avkjølt.



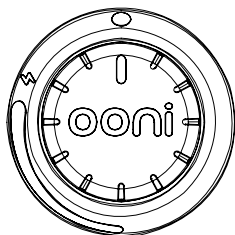
Trinn 6

Tenning

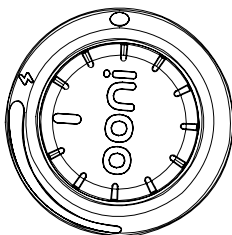
1. Skru på gassen på gassbeholderen.
2. Trykk inn og vri knappen mot klokken til det klikker. Skru ikke opp for raskt.
Fra trykk til klikk bør det tar ca. 3 sekunder.
3. Hold knappen inne i 5 sekunder og slipp.



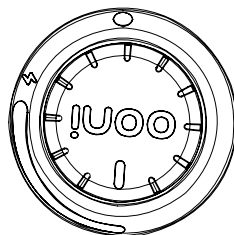
Av



Maksimal kraft



Minimal kraft

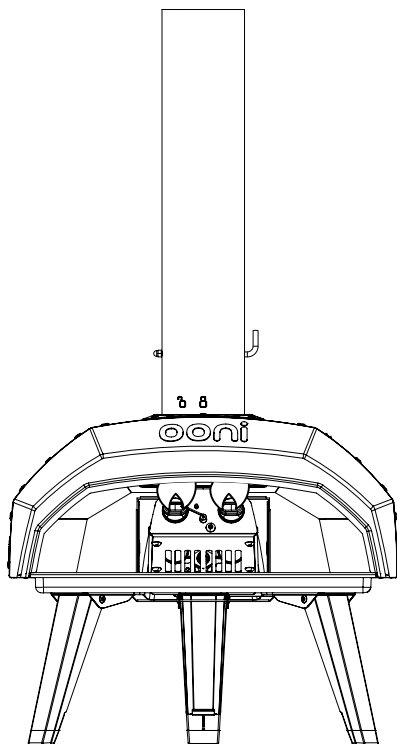


Stå med kroppen trygt unna ovnen når du tenner opp – sørg for at ingen er innenfor 1 meter fra fronten av ovnen. Hold en armlengdes avstand fra ovnen når du tenner opp, og ikke len deg over ovnen når du tenner den.

Trinn 7

Forsikre deg om at gassbrenneren er på.

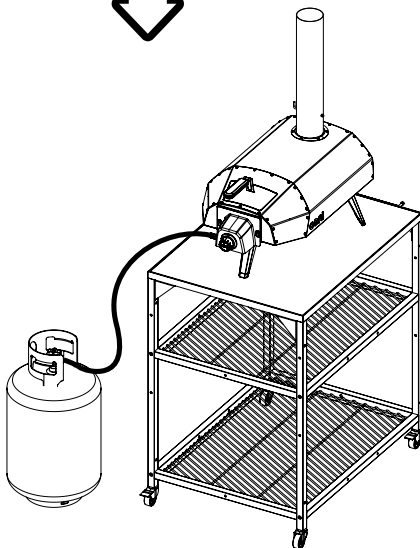
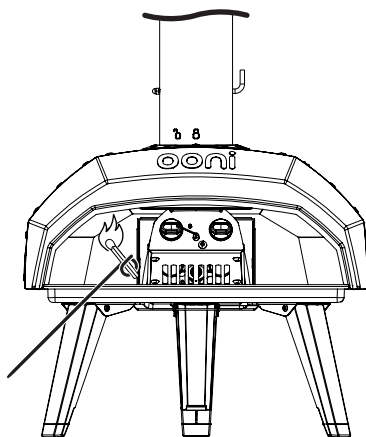
1. Hvis ikke: skru av gassen og gå tilbake til trinn 6.
2. Dersom brenneren fortsatt ikke tenner, gå til trinn 8.



Trinn 8

Tenning – bruk av fyrstikk

Dersom brenneren fortsatt ikke tenner: skru på gassen og bruk en fyrstikk og den medfølgende fyrstikkholderen for å tenne den gjennom fronten på ovnen. Hold den foran brennerne. Trykk og vri på bryteren som beskrevet i trinn 6.



! Led alltid gasslangen vekk fra ovnen. Slangen må ikke berøre ovnen.

! Dersom flammen slukker, skal gassen skrus av. Vent 5 minutter før du tenner på nytt.

Feilsøking

Problem	Mulig årsak	Forebygging/løsning
Ovnen blir ikke varm nok.	<ol style="list-style-type: none"> 1. Gassflasken er tom. 2. Det er sprekker i eller lekkasje fra slangen. 3. Regulatoren ikke riktig festet. 4. Bruken skjer under ekstreme forhold. 	<ol style="list-style-type: none"> 1. Kontroller at gassbeholderen er full. Hvis det bare er litt gass igjen i beholderen, kan det påvirke ytelsen til gassbrenneren. 2. Kontroller at det ikke er sprekker i eller lekkasje fra slangen. 3. Forsikre deg om at regulatoren er riktig festet til gassflasken og at slangen er festet godt til gassbrenneren og strammet til ved hjelp av passende skifteneøklere, som beskrevet i bruksanvisningen. 4. Gassbrenneren og ovnen bør ikke brukes under ekstreme forhold (f.eks. sterk vind).
Gassbrenneren tenner ikke	<ol style="list-style-type: none"> 1. Feil oppsett 2. Gassflasken er tom. 3. Det er sprekker i eller lekkasje fra slangen. 4. Feil opptenningsteknikk. 5. Regulatoren er ikke riktig festet. 6. Feiljustering av gnisten. 	<ol style="list-style-type: none"> 1. Forsikre deg om at skorsteinsnetten er fjernet og at ventilasjonsåpningene og skorsteinsåpningene er åpne. Døren bør stå åpen. 2. Kontroller at gassbeholderen er full. Hvis det bare er litt gass igjen i beholderen, kan det påvirke ytelsen til gassbrenneren. 3. Kontroller at det ikke er sprekker i eller lekkasje fra slangen. 4. Dersom du skrur på bryteren for raskt, kan det forhindre tenning av gassbrenneren. 5. Forsikre deg om at regulatoren er riktig festet til gassflasken og at slangen er festet godt til gassbrenneren og strammet til ved hjelp av passende skifteneøklere, som beskrevet i bruksanvisningen. 6. Juster tennerens spiss så den befinner seg 2–3 mm foran brennerhetten.
Flammen er for gul / for blå.	Variasjon i omgivelsene, maten du tilbereder, temperaturen rundt ovnen og tilstanden til Ooni-ovnen kan påvirke fargen til flammen.	Flammens farge har ingen effekt på smaken eller kvaliteten til maten din.
Flammeovervåkningen min fungerer ikke riktig.	Det kan være sot på flammeovervåkingssonden.	Forsikre deg om at gassbrenneren og gassforsyningen er skrudd av. Vent til brenneren er avkjølt, og rengjør så sonden og brennerhullene forsiktig med en fuktig klut. La brenneren tørke helt før du tenner den igjen.
Ooni-gassbrenneren klarer ikke å opprettholde flammen.	<ol style="list-style-type: none"> 1. Det er mangel på oksygen. 2. Ovnen står på et ujevnt underlag. 	<ol style="list-style-type: none"> 1. Åpne skorsteinsventilen på Ooni Pro-enheten for å fremme bedre luftgjennomstrømming i ovnen. 2. Dersom Oonien din står skjevt, strømmer ikke oksygenet like bra. Prøv å sette den på en vannrett overflate.
Jeg kan høre en «brølelyd» fra gassbrenneren, og flammen er veldig svak.	Flammen brenner inne i ventilhullene.	Skrud av gassstilførselen og gassbrenneren øyeblikkelig. Vent 5 minutter og tenn gassbrenneren på nytt.

Teknisk produktinformasjon

Modellnummer

Gassbrenner til Ooni Karu 12

Produktetikett

ooni	
Ooni Limited, 189 West Main Street, Broxburn, Scotland, EH52 5LH	13B/P(30)
	Butane, Propane or their mixture
	28 - 30 mbar
Ooni Karu 12 Gas Burner	5.3 kW, 386g/h
DK, FI, IT, NL, NO, SE, LU, MT	0.81 mm * 2
DE: Butan, Propan oder eine Mischung davon DK: Butan, propan eller en blanding af disse ES: Butano, propano o sus mezclas FI: Butaani, propaani tai niiden seos IT: Butano, propano o una miscela dei due NL: Butaan, propaan of hun mengsel NO: Butan, propan eller deres blanding SE: Butan, propan eller en blandning av de två	SN

Injektorer

Injektormerking: **0,81 mm**

Merking: **0,81**

Viktig säkerhetsinformation – måste läsas i sin helhet innan ugnen tas i bruk.

Läs hela den aktuella säkerhetsinformationen innan du monterar, installerar, använder och/eller utför underhåll på fästnanordningen till Ooni Karu 12-gasbrännaren som hör till Ooni Karu 12-ugnen. Underlåtenhet att följa alla bestämmelser som anges i den aktuella säkerhetsinformationen kan medföra skada på egendom, allvarlig kroppsskada och till och med död, eller brand som kan skada egendom.

1. När du använder Ooni Karu 12-ugnen tillsammans med fästnanordningen till Ooni Karu 12-gasbrännaren, tänk på att (1) Ooni Karu 12-gasbrännarens fästnanordning bara ska användas tillsammans med din Ooni, alltså inte med någon annan utrustning, och (2) samtliga bestämmelser i säkerhetsinformation som gäller Ooni Karu 12-ugnen också avser användning av Ooni Karu 12-gasbrännarens fästnanordning, utöver de bestämmelser som ingår i den här aktuella säkerhetsinformationen. Vi rekommenderar starkt att du inte använder Ooni Karu 12-ugnen tillsammans med Ooni Karu 12-gasbrännarens fästnanordning förrän Ooni Karu 12-ugnen har testats noggrant och korrekt med avseende på gasläckor.
2. Förbränningsprodukter, som bildas när Ooni Karu 12-ugnen används med Ooni Karu 12-gasbrännarens fästnanordning, innehåller kol och kolmonoxid i rökgasen från Ooni Karu 12-gasbrännaren. Dessa ämnen är, om de andas in inomhus eller i annat icke-ventilerat område, kända för att vara en möjlig dödsorsak genom kvävning och/eller kolmonoxidförgiftning.
3. Om Ooni Karu 12-gasbrännaren inte tänds, stäng av (läge OFF), vänta 5 minuter och försök igen. Gasventilen ska alltid hållas stängd under de fem minuterna. Om Ooni Karu 12-gasbrännaren inte tänds med ventilen öppen, fortsätter gas att strömma ut ur den och kan råka antändas med risk för personskada.
4. Om gasläckage upptäcks, oavsett när, STÅNG AV och larma brandkåren. Läckande propan kan medföra explosion, brand, svår personskada eller död. Om du känner gaslukt (1) stäng av gasen, (2) släck eventuell öppen eld och, (3) om det fortfarande luktar gas, håll dig undan från Ooni Karu 12-ugnen och ring omedelbart gasleverantören eller larma brandkåren. Om du inte kan stoppa en gasläcka, stäng omedelbart gasventilen (propan) och ring gasleverantören eller brandkåren. Om "växande" bubblor bildas i gasbehållaren, använd den inte eller flytta gasolen (propan). Kontakta en leverantör av gasol eller brandkåren.
5. Förvara inte och använd inte bensin eller andra lättantändliga vätskor eller ångor nära Ooni Karu 12-ugnen eller någon annan utrustning. För inte in verktyg eller främmande föremål i ventilens säkerhets-/avlastningsventil. Ventilen kan skadas och orsaka läckage. Försök aldrig ansluta Ooni Karu 12-gasbrännaren till det inbyggda gasolsystemet i campingfordon eller husvagnar/husbilar. Använd aldrig Ooni Karu 12-ugnen tillsammans med gasol placerad på något annat sätt än enligt instruktionerna. Stäng alltid gasolventilen innan gasolen flyttas från den angivna arbetsplaceringen. Stäng av (OFF) reglaget och gaskällan eller gasbehållaren när den inte används.
6. Använd Ooni Karu 12-gasbrännaren, som köpt, enbart med gasol och den regulator/ventil som medföljer. Försök inte reparera eller ändra slangen/ventilen/regulatorn för något som du tror kan vara fel. Varje förändring av denna utrustning innebär risk för läckage och brand. Använd bara auktoriserade reservdelar som tillhandahålls av Ooni Limited. Förvara ALDRIG en extra gasolbehållare under eller nära Ooni Karu 12-ugnen eller i ett slutet utrymme. En gasolfaska som inte är ansluten för användning ska inte förvaras i närheten av Ooni Karu 12-ugnen eller någon annan utrustning.
7. Använd fästnanordningen för Ooni Karu 12-gasbrännaren, i anslutning till Ooni Karu 12-ugnen, enbart med förfylld gasolbehållare.

Felaktigt förvarad gasol utgör risk på grund av eventuellt gasutsläpp från säkerhets-/avlastningsventilen. Det kan orsaka häftig brand med risk för skada på egendom, allvarlig kroppsskada eller död. Om du ser gas tränga ut, eller känner gaslukt, flytta dig genast bort från gasolfaskan och larma brandkåren.

OONI LIMITED, OONI INC ELLER OONI GMBH ÅTAR SIG INGET ANSVAR, RÄTTSLIGT ELLER PÅ ANNAT SÄTT, FÖR SÅDANA OAVSIKTLIGA SKADOR, ELLER FÖLJDSKADOR, PÅ EGENDOM ELLER PERSON, SOM ORSAKATS AV ATT DU INTE ANVÄNT/ANVÄNDER FÄSTANORDNINGEN TILL DIN OONI KARU 12-GASBRÄNNARE I ENLIGHET MED BESTÄMMELSERNA I DEN AKTUELLA SÄKERHETSINFORMATIONEN.

OONI LIMITED, OONI INC ELLER OONI GMBH ÄR INTE I NÅGOT FALL ANSVARSSKYLDIGT FÖR SÄRSKILDA ELLER INDIREKTA SKADOR, FÖLJDSKADOR ELLER ANDRA SKADOR OAVSETT ART UTÖVER DET URSPRUNGLIGA INKÖPSPRISET FÖR OONI KARU 12-GASBRÄNNARENS FÄSTANORDNING.

Vissa stater och länder tillåter inte undantag eller begränsning av oavsiktliga skador och följdskadorna, därför gäller sådana begränsningar eller undantag eventuellt inte dig.

Säkerhetsinformation

- Läs instruktionerna innan du använder utrustningen.
- Ska bara användas utomhus.
- Varning! Delar som kan kommas åt kan bli mycket heta. Håll små barn på avstånd.
- Varning! Kontrollera att benen på Ooni Karu 12 är helt utfällda innan ugnen används
- Varning! För att undvika elstöt, vidrör inte elektrodens spets när brännaren antänds.
- Varning! Justera inte takventilen eller skorstensventilen när ugnen används.
- Varning! Håll dig undan avgaserna från skorstenen
- Varning! Det ska vara minst 90 mm mellan kanterna på respektive ugnsbena och bordsytan.
- Håll små barn på avstånd.
- Flytta inte på utrustningen medan den används.
- Stäng av gastillförseln vid gasbehållaren efter användning.
- Gör inga förändringar av utrustningen.
- Delar som förslutits av tillverkaren eller dess ombud får inte manipuleras av användaren.
- Använd alltid skyddshandskar vid hantering av heta komponenter.
- Utrustningen får bara förvaras inomhus om gasbehållaren har kopplats loss och flyttats undan från utrustningen. Om utrustningen inte ska användas under en tid ska den tas bort från ugnen och förvaras, torrt och dammfritt, i sin originalförpackning.
- OBSERVERA: All rengöring och skötsel ska utföras när ugnen har kallnat och med bränsteltillförseln avstängd vid gasbehållaren och losskopplad.
- INNAN ANVÄNDNING, KONTROLLERA UTRUSTNING OCH ANSLUTNINGAR MED AVSEENDE PÅ LÄCKOR: Kontrollera aldrig för läckage med öppen låga, använd alltid tvållösning. Läckagetest: Testa alltid för läckor varje gång en ny gasbehållare ansluts eller när utrustningen inte har använts under en längre tid. Kontrollera att ventilen är korrekt i linje med venturiröret. Kontrollera att slangen inte har sprickor eller har spruckit. VIKTIGT: Om du inte kan stoppa gasläckan, stäng av ventilen på gasbehållaren och ring din lokala återförsäljare av gasbehållare eller brandkåren.
- Utrustningen måste hållas undan från lättantändligt material när den används.
- När gasflaskan ska bytas, kontrollera att vredet på Ooni Karu 12-gasbrännaren har vridits till läge av (OFF), koppla loss regulatorn från gasflaskan och ta bort flaskan. Under hela denna process, försäkra dig om att behållaren är minst en meter bort från ugnen för att undvika risk för antändning.



Ställ dig åt sidan när du tänder på nytt – titta aldrig direkt in i ugnen eller på lågorna.



Den medföljande gasregulatorn är eventuellt inte lämplig att användas i det land där du bor, se lokala föreskrifter för mer information.

Steg 1

Sätt på slangröret (vid behov)

Regulatorer och slangkopplingar kan variera beroende på region.

Om Ooni Karu 12-gasbrännaren har en hongängad slangände, följ Steg 1a.

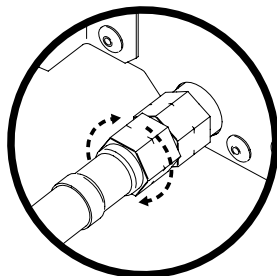
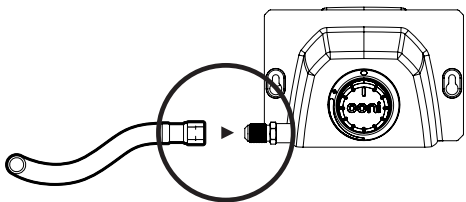
Om Ooni Karu 12-gasbrännaren har gänga med hulling och vanlig slang med slangklämma, följ Steg 1b och sedan 1c.

Om Ooni Karu 12-gasbrännaren har vanlig slang med slangklämma, följ Steg 1c.

Om Ooni Karu 12-gasbrännaren har slangen förinstallerad, fortsätt till Steg 2.

Steg 1a

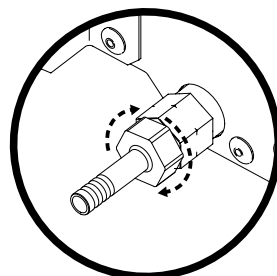
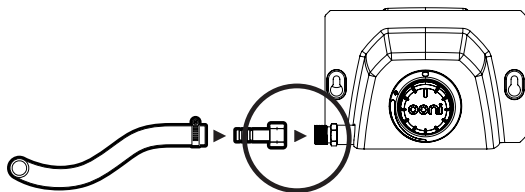
Dra åt med skiftnyckel



! Dra åt moturs i EU.

Steg 1b

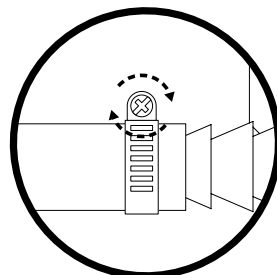
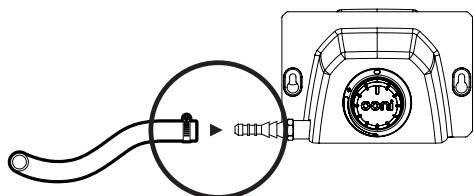
Dra åt med skiftnyckel och följ sedan Steg 1c.



! Dra åt moturs i EU.

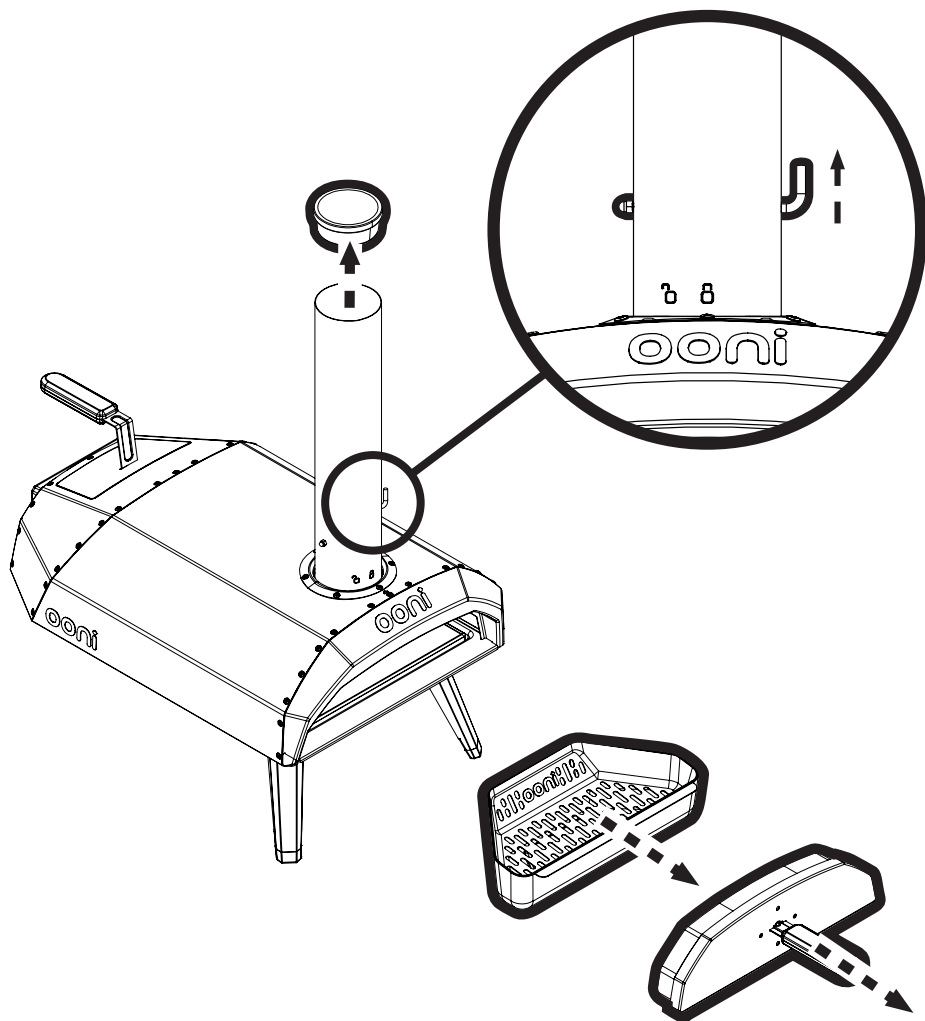
Steg 1c

Dra åt med skruvdragare.



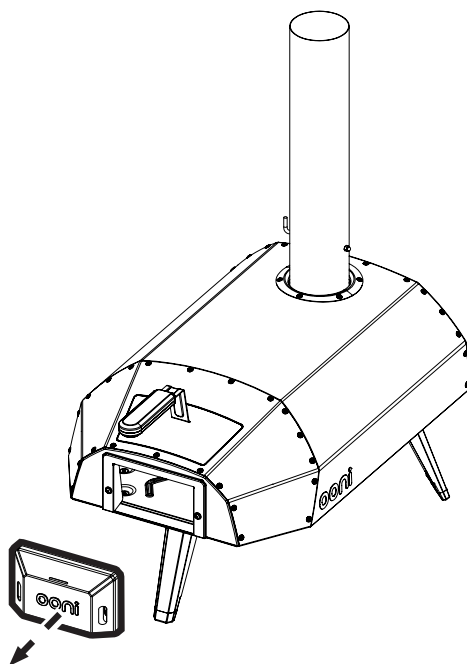
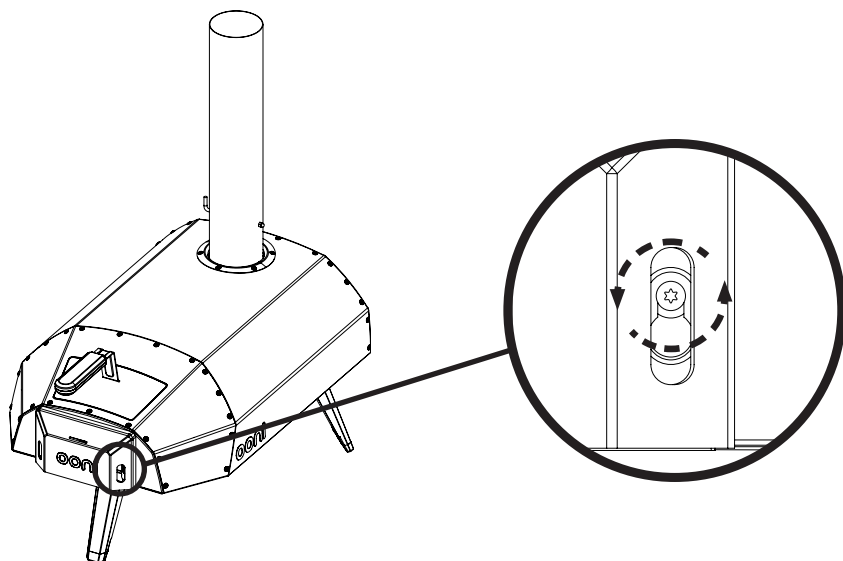
Steg 2

Ta bort luckan och bränslebrickan och kontrollera att skorstensventilen är öppen

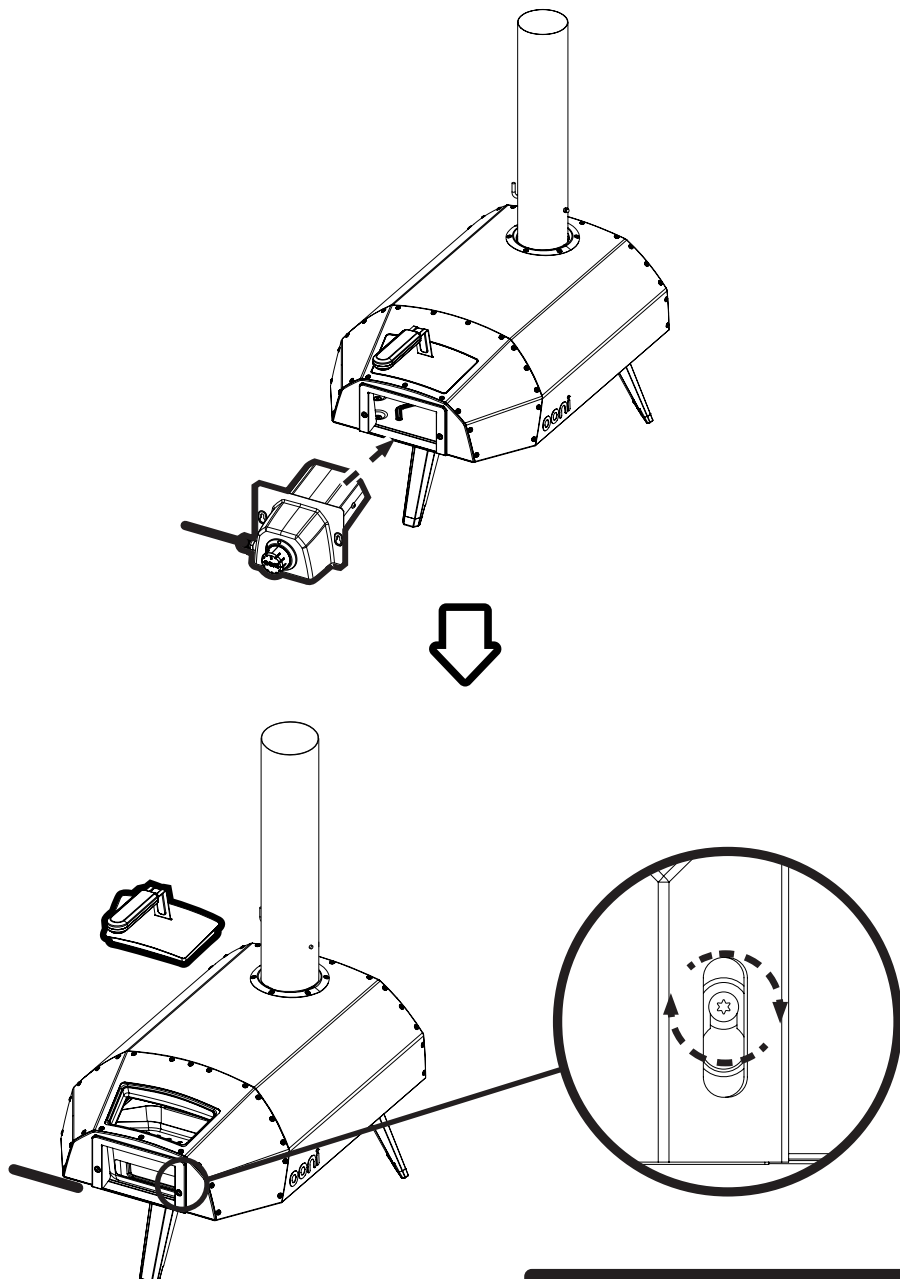


Steg 3

Ta bort vindskyddsplattan



Steg 4
Placera Ooni Karu 12-gasbrännaren

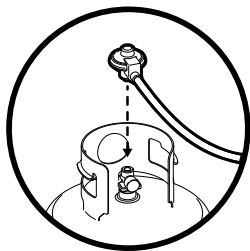


! Skruva i skruvarna men dra inte åt för hårt

Steg 5

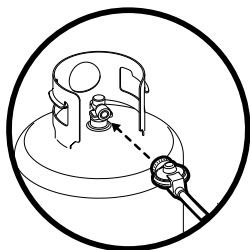
Anslut gasbehållaren

Regulatorer kan variera beroende på region.



Gasregulator för grillplats utomhus

Trycks på gasfästet. Kontrollera att det svarta vredet är i horisontellt läge. Tryck in knappen under det svarta vredet och tryck på regulatorn på behållarventilen tills den låses fast.

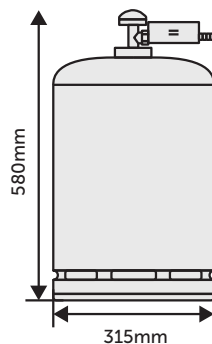


POL gasregulator

Gasfäste som är gängat moturs. Kontrollera att behållaren är helt avstängd och skruva fast regulatorn på gasbehållarens ventilfäste tills det sitter ordentligt.

Säkerhetsinformation för gas

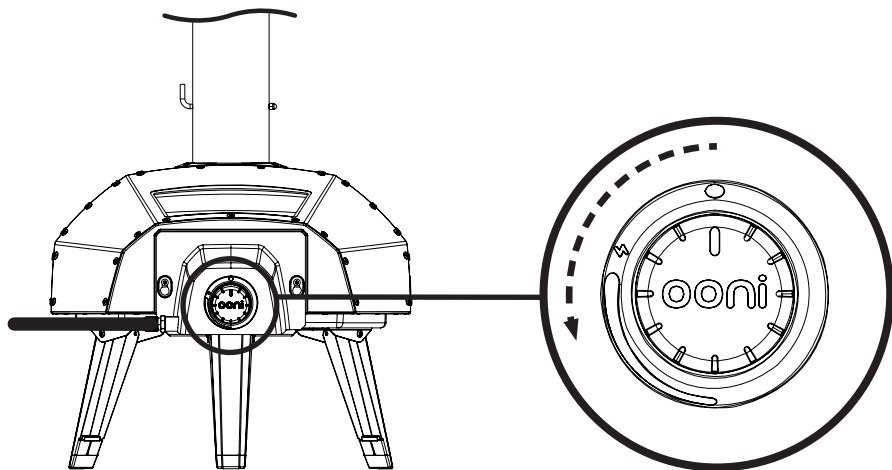
- Utrustningen måste installeras minst 1 meter från lättantändliga material.
- Ugnen ska placeras på en icke-brännbar, stabil och plan yta.
- Ugnen ska placeras där den inte påverkas av dåligt väder.
- Utrustningen får bara användas tillsammans med propan (gasol). Minsta behållarkapacitet 4 kg, högsta behållarkapacitet 13 kg.
- Använd en passande tillhandahållen regulator som är EN 16129-certifierad och en böjlig slang som är EN 16436-certifierad.
- Slangen får vara högst 1,5 meter lång. Sliten eller skadad slang måste bytas ut. Kontrollera att slangen inte är blockerad eller har snott/vikt sig, och inte har kontakt med någon annan del av ugnen än anslutningen.
- Slangen för gastillförsel ska kollas med jämna mellanrum och bytas ut om den är skadad och minst vart annat år.
- Nationella krav i ditt land kan ange hur ofta slangen ska bytas ut. Läs regelbundet vilka krav som gäller i ditt land.
- Om ett venturirör blockerats, stäng omedelbart av brännarenheten, stäng av gastillförseln, koppla loss gastillförseln och vänta tills det kylts av och kan tas bort från ugnen.
- Kontrollera att utrustningen är fri från skräp före varje användning. Om skräp skulle ansamlas, borsta bort det när utrustningen har svalnat.



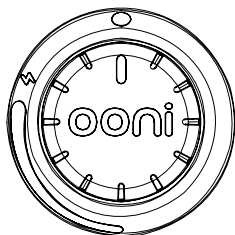
Steg 6

Tända

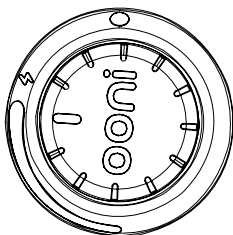
1. Öppna för gasen vid gasbehållaren.
2. Tryck in och vrid knappen moturs till det hörs ett klick. Vrid inte för snabbt. Det bör ta cirka tre sekunder från tryck till klick.
3. Håll knappen inne i fem sekunder, släpp den sedan.



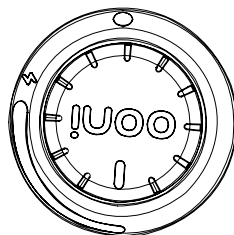
Av



Högsta effekt



Lägsta effekt

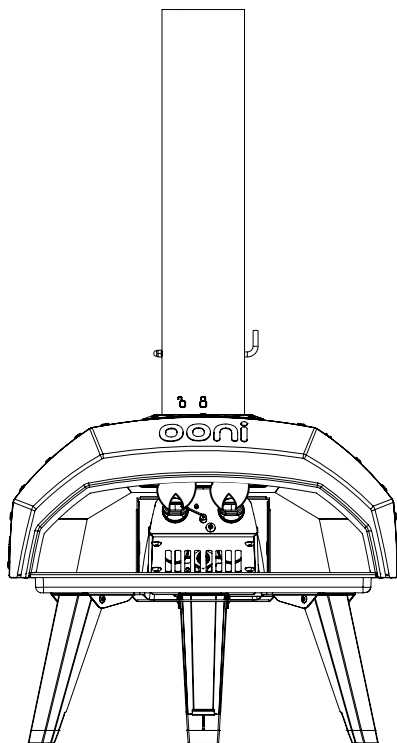


Stå på avstånd från ugnen när du tänds den – se till att ingen befinner sig inom en meter från ugnen. Håll armlängds avstånd från ugnen när du tänds den. Luta dig inte över ugnen när du tänds den.

Steg 7

Säkerställ att gasbrännaren är på

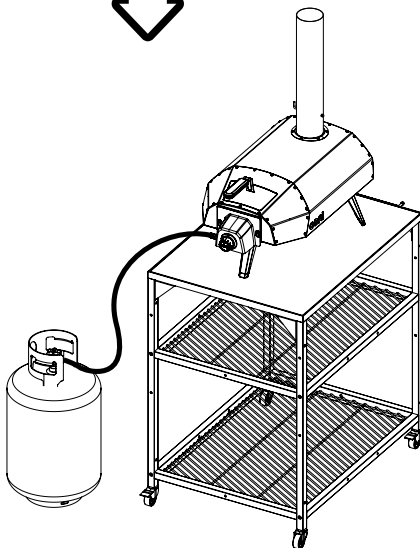
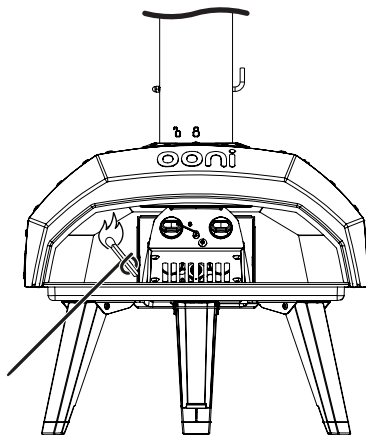
1. Om inte, stäng av gasen och gå tillbaka till Steg 6.
2. Om brännaren fortfarande inte tänds, gå till Steg 8.



Steg 8

Tända – med tändsticka

Om brännaren fortfarande inte tänds, slå på gasen och tänd med hjälp av en tändsticka och den medföljande tändstickshållaren genom ugnens framsida. Håll den framför brännarna. Tryck ner och vrid vredet enligt beskrivningen i Steg 6.



! Gasslangen ska alltid ledas bort från ugnen. Slangen får inte vidröra själva ugnen

! Om lågorna slocknar, stäng av gasen och vänta fem minuter innan du tänder igen

Felsökning

Problem	Möjlig orsak	Förebyggande/Lösning
Ugnen blir inte tillräckligt het	<ol style="list-style-type: none"> 1. Tom behållare 2. Sprickor eller läckor på slangen 3. Regulatorn inte korrekt fastsatt 4. Drift under extrema förhållanden 	<ol style="list-style-type: none"> 1. Kolla att gasbehållaren är full, även en behållare med lite gas kan påverka hur gasbrännaren fungerar 2. Kontrollera att det inte finns sprickor eller läckor på slangen 3. Kontrollera att regulatorn är korrekt fastsatt på gasbehållaren och att slangen är ordentligt kopplad till gasbrännaren och åtdragen med skiftnyckel så som beskrivs i instruktionsmanualen 4. Gasbrännaren och ugnen ska inte användas under extrema förhållanden (t.ex. hård vind)
Gasbrännaren tänds inte	<ol style="list-style-type: none"> 1. Felaktigt inställd 2. Tom behållare 3. Sprickor eller läckor på slangen 4. Felaktig tändningsteknik. 5. Regulatorn inte korrekt fastsatt 6. Tändaren är felaktigt riktad 	<ol style="list-style-type: none"> 1. Kontrollera att skorstenstaket är avtaget och att takventilerna och skorstensspjället är öppna. Luckan ska vara öppen. 2. Kolla att gasbehållaren är full, även en behållare med lite gas kan påverka hur gasbrännaren fungerar 3. Kontrollera att det inte finns sprickor eller läckor på slangen 4. Att vrida vredet för snabbt kan förhindra att gasbrännaren tänds. 5. Kontrollera att regulatorn är korrekt fastsatt på gasbehållaren och att slangen är ordentligt kopplad till gasbrännaren och åtdragen med skiftnyckel så som beskrivs i instruktionsmanualen 6. Flytta tändarens spets så att den är 2–3 mm från brännarens tak.
Lågan är för gul/för blå	Variationer i omgivningen, maten du tillagar, omgivande temperatur och Ooni-ugnens skick kan påverka lågornas färg	Lågornas färg påverkar inte matens smak eller kvalitet.
Min FSD-brännare fungerar inte som den ska	Sot kan ha ansamlats i FSD-sonden	Kontrollera att gasbrännaren och gastillförseln stängts av, vänta tills brännaren har svalnat, gör försiktigt ren sonden och brännarens hål med fuktig trasa, låt brännaren torka helt innan den tänds igen.
Gasbrännaren som hör till Ooni håller inte lågan igång	<ol style="list-style-type: none"> 1. För lite syre 2. Ugnen står på ojämn yta 	<ol style="list-style-type: none"> 1. Öppna Ooni Pros skorstensventil för att få bättre luftflöde genom ugnen 2. Om Ooni står lutande när den sätts i ordning strömmar inte syret lika bra. Prova att placera den plant.
Jag hör ett "brusande ljud" från gasbrännaren och lågorna är mycket svaga	Lågorna brinner inuti venturirören	Stäng av gastillförseln och gasbrännaren omedelbart, vänta fem minuter och tänd gasbrännaren igen.

Tekniska uppgifter för produkten

Modellnummer

Ooni Karu 12 gasbrännare

Produktmärkning

ooni	
Ooni Limited, 189 West Main Street, Broxburn, Scotland, EH52 5LH	I3B/P(30)
	Butane, Propane or their mixture
	28 - 30 mbar
Ooni Karu 12 Gas Burner	5.3 kW, 386g/h
DK, FI, IT, NL, NO, SE, LU, MT	0.81 mm * 2
DE: Butan, Propan oder eine Mischung davon DK: Butan, propan eller en blanding af disse ES: Butano, propano o sus mezclas FI: Butaani, propani tai niiden seos IT: Butano, propano o una miscela dei due NL: Butaan, propan of hun mengsel NO: Butan, propan eller deres blandinger SE: Butan, propan eller en blandning av de två	SN

Injektorer

Injektormärkning: **0,81 mm**

Märkning: **0,81**

